

# Profec Ball valve PVC-U 2" imperial glue socket 10bar white type Imperial 2000 (0169997)



# TECHNICAL SPECIFICATIONS

Colour	white
Type	Imperial 2000
Material	PVC-U
Operation	lever
Colour lever	red
Handle material	PVC-U
Housing construction	3-part
Ball material	PVC-U
Material housing	PVC-U
Material seal	PE/EPDM
Connection	imperial glue socket
Max. temperature	60 °C
Minimum medium temperature (continuous)	0 °C
Pressure	10 bar
Size	2"

# DIMENSIONS

Ct-1 99 mm

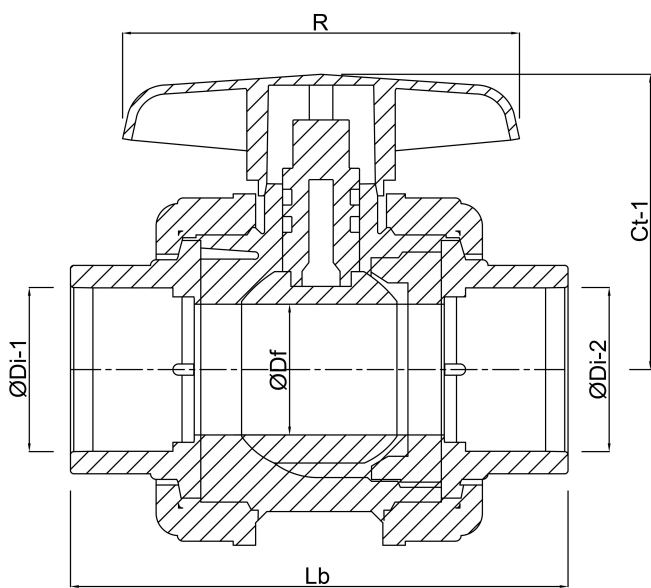
Lb 192 mm

R 157 mm

ØDf 50 mm

ØDi-1 2 "

ØDi-2 2 "



**Last modified date: 07/03/2026**

Bosta UK Ltd.  
Reflection House  
Olding Road  
Bury St. Edmunds

Suffolk  
IP33 3TA  
T +44 (0) 1284 716580  
E [enquiries@bosta.co.uk](mailto:enquiries@bosta.co.uk)  
<http://www.bosta.com>