

**Profec Butterfly valve ductile
iron (GGG40) epoxy coating
DN200 flange 10bar DN200
blue PN6/10/16 type 600
(0401856)**



TECHNICAL SPECIFICATIONS

| | |
|-------------------|----------------------|
| Colour | blue |
| Type | 600 |
| Material | ductile iron (GGG40) |
| Surface treatment | epoxy coating |
| Operation | lever |
| Colour lever | black |
| Handle material | malleable cast iron |
| Material valve | ductile iron |
| Material spindle | stainless steel 316 |
| Seat material | EPDM |
| Material housing | ductile iron (GGG40) |
| Material seal | EPDM |
| Connection | flange |
| Flange | PN6/10/16 |
| Temperature range | 0°C - 90°C |
| Pressure | 10 bar |
| Size | DN200 |

DN 200

Width 60 mm

Height 484 mm

Torque 195 Nm

Bolt hole 22 mm

Holes 8

DIMENSIONS

Construction length din 3202 k1, iso 5752

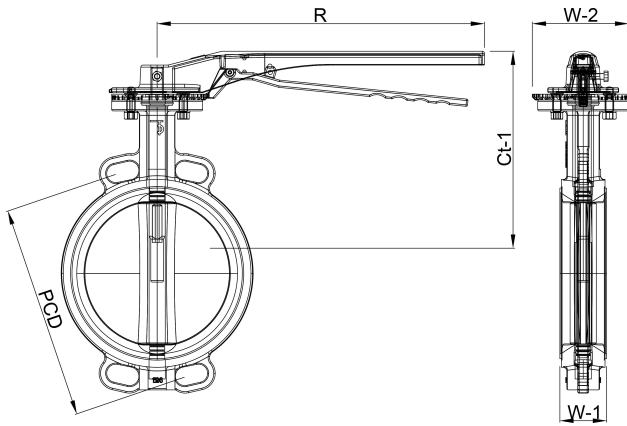
Ct-1 298 mm

PCD 280/295 mm

R 360 mm

W-1 60 mm

W-2 120 mm



Last modified date: 25/05/2026

Bosta UK Ltd.
Reflection House
Olding Road
Bury St. Edmunds
Suffolk
IP33 3TA
T +44 (0) 1284 716580
E enquiries@bosta.co.uk
<http://www.bosta.com>