

VDL Flange adaptor PVC-U 75 mm glue socket 10bar DN65 grey PN10 type B (7018250)



V-L Van de Lande

TECHNICAL SPECIFICATIONS

Colour grey

Material PVC-U

DIN Standard DIN 2501

Flange PN10

Pressure 10 bar

Type B

Size 75 mm

Connection glue socket

Packaging 24 pcs

DN 65

Outer ø 44 mm

Thickness 19 mm

Bolt hole 19 mm

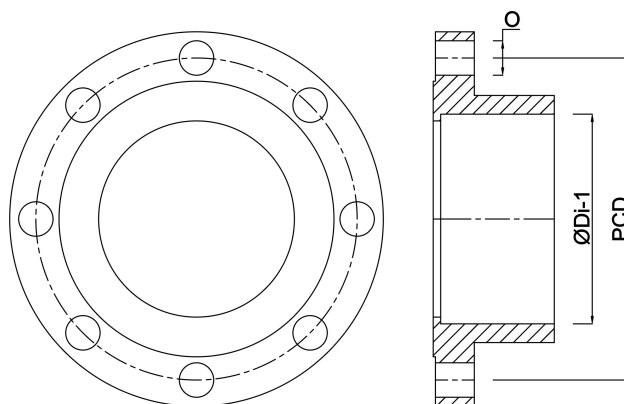
Holes 4

DIMENSIONS

O 19 mm

PCD 139,5/144 mm

ØDi-1 75 mm



Last modified date: 24/05/2026

Bosta UK Ltd.
Reflection House
Olding Road
Bury St. Edmunds
Suffolk
IP33 3TA
T +44 (0) 1284 716580
E enquiries@bosta.co.uk
<http://www.bosta.com>