

**Itap Ball valve brass nickel
plated 1/2" female thread x
male thread 5bar DN15 DVGW
type 067 (0401162)**



TECHNICAL SPECIFICATIONS

Type	067
Material	brass
Surface treatment	nickel plated
Approval	DVGW
Operation	lever
Colour lever	yellow
Handle material	steel
Housing construction	2-part
Ball material	hard chrome plated brass
Material housing	brass
Material seal	PTFE
Connection	female thread x male thread
Max. temperature	60 °C
Minimum medium temperature (continuous)	-10 °C
Flow	full
Pressure	5 bar

Size 1/2"

DN 15

DIMENSIONS

Ct-1 48.8 mm

F-1 15 mm

F-2 15 mm

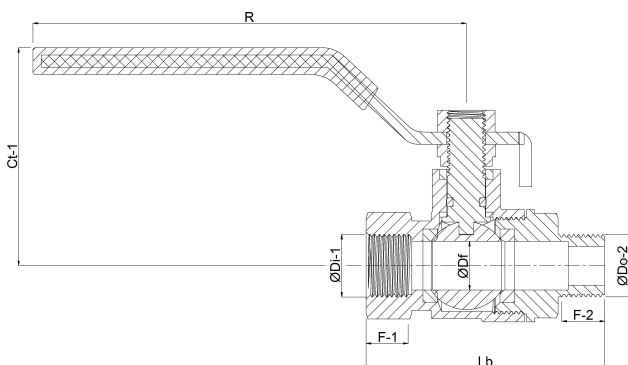
Lb 68 mm

R 88.5 mm

ØDf 15 mm

ØDi-1 1/2 "

ØDo-2 1/2 "



Last modified date: 23/05/2026

Bosta UK Ltd.
Reflection House
Olding Road
Bury St. Edmunds
Suffolk
IP33 3TA
T +44 (0) 1284 716580
E enquiries@bosta.co.uk
<http://www.bosta.com>