

DAB Multi-stage centrifugal pump stainless steel DN50 flange 10.2A 400VAC type NKV 15/6S T (7043202)



TECHNICAL SPECIFICATIONS

Material stainless steel

Connection flange

Type NKV 15/6S T

Output Power 7,5 HP

Size DN50

Voltage 400VAC

Power 5.5 kW

Ampere 10.2 A

DIMENSIONS

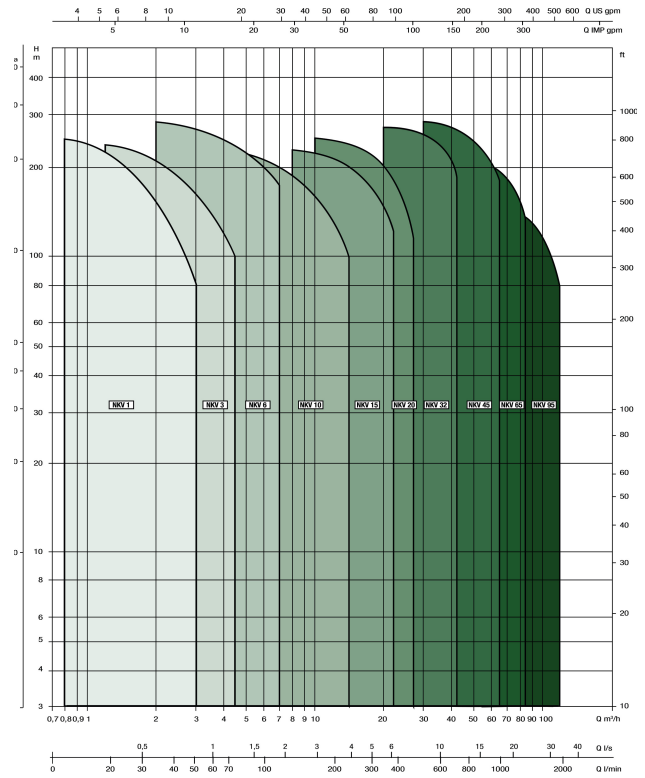
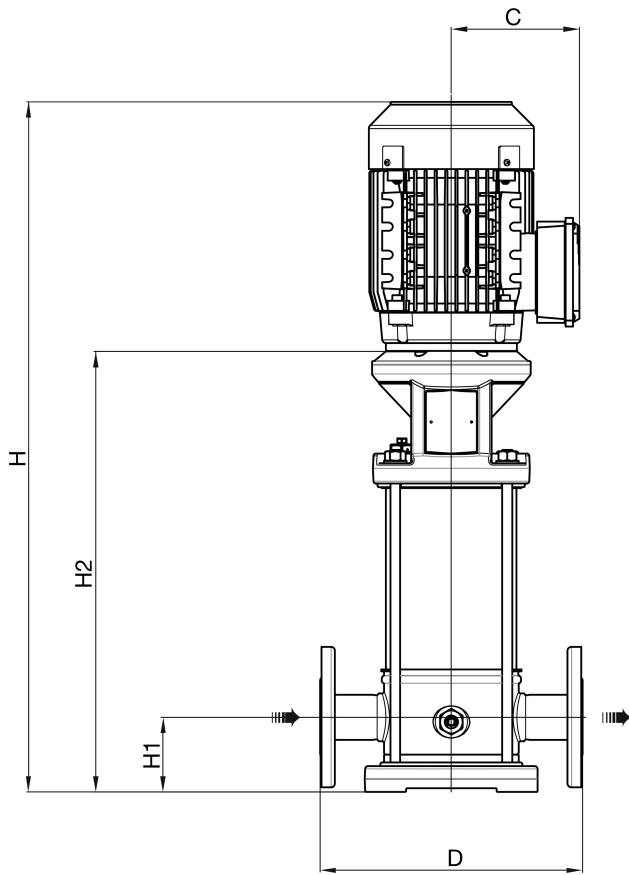
C 160 mm

D 300 mm

H 1128 mm

H-1 90 mm

H-2 800 mm



Last modified date: 27/05/2026

Bosta UK Ltd.
 Reflection House
 Olding Road
 Bury St. Edmunds
 Suffolk
 IP33 3TA
 T +44 (0) 1284 716580
 E enquiries@bosta.co.uk
<http://www.bosta.com>