

**VIR Ball valve brass chrome
plated 3/4" female thread
40bar WRAS/VA type 340B
(0400972)**



TECHNICAL SPECIFICATIONS

Type	340B
Material	brass
Surface treatment	chrome plated
Approval	WRAS/VA
Operation	lever
Colour lever	blue
Handle material	dacromet steel
Housing construction	2-part
Ball material	hard chrome plated brass
Material housing	brass
Material seal	PTFE
Connection	female thread
Max. temperature	150 °C
Minimum medium temperature (continuous)	0 °C
Flow	full
Temperature range	0°C - 150°C

Size 3/4"

Pressure 40 bar

DIMENSIONS

Handle height 57

Lb 58 mm

ØDi-1 3/4 "

ØDi-2 3/4 "

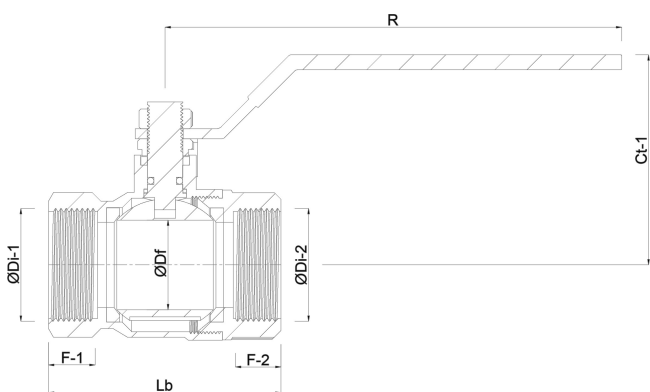
F-1 12 mm

F-2 12 mm

Ct-1 57 mm

R 91.5 mm

ØDf 20 mm



Last modified date: 02/10/2025

Bosta UK Ltd.
Reflection House
Olding Road
Bury St. Edmunds
Suffolk
IP33 3TA
T +44 (0) 1284 716580
E enquiries@bosta.co.uk
<http://www.bosta.com>