

DAB Submersible pump fibre-reinforced plastic 1" female thread 1,9A 230VAC green type Feka 300 M-A with float switch (7038435)



TECHNICAL SPECIFICATIONS

Colour	green
Material	fibre-reinforced plastic
Pump body	plastic
Material impeller 1	fibre-reinforced plastic
Connection	female thread
Voltage	230VAC
Max. temperature	35° C
Minimum medium temperature	0 °C (continuous)
Press	1 "
Type	Feka 300 M-A
Output Power	0,3 HP
Size	1"
Float	included
Power	0.22 kW
MWC	6,4
Ampere	1,9 A

Max flow rate

12 m³/h

DIMENSIONS

Db

180 mm

H-1

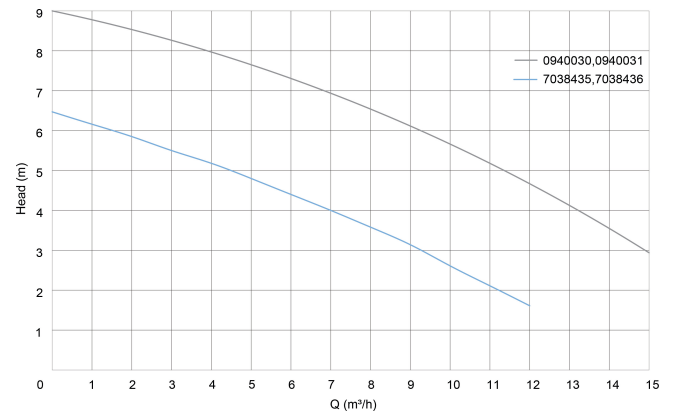
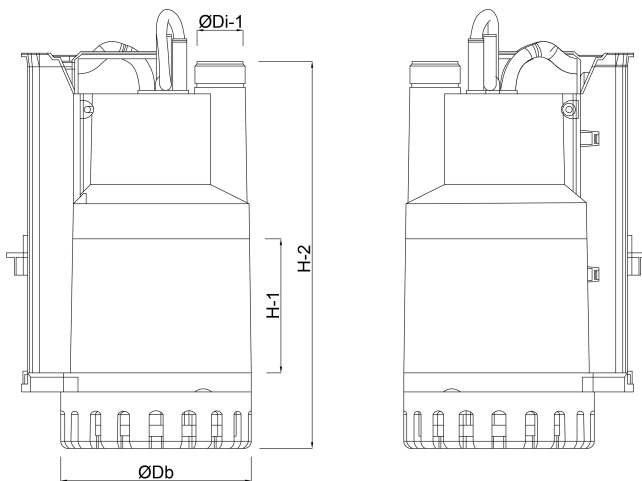
71 mm

H-2

329 mm

ØDi-1

1 1/4 "



PRODUCT INFORMATION

For solids up to 25mm.

Technical features:

Pump body, protection cover, filter and fan in noryl fibreglass.

Motor axis and motor body in S/S steel.

Seal with 3 seal rings in oil chamber.

Automatic float switch.

With built in thermal safety.

With approximately 10 metres cable.

Last modified date: 13/03/2026

Bosta UK Ltd.
Reflection House
Olding Road
Bury St. Edmunds
Suffolk
IP33 3TA
T +44 (0) 1284 716580
E enquiries@bosta.co.uk
<http://www.bosta.com>