

**Flange stainless steel 316  
DN65 x 76,1 mm DIN flange x  
butt welding 10bar DN65  
PN10/16 (0080636)**



# TECHNICAL SPECIFICATIONS

Material stainless steel 316

Connection DIN flange x butt welding

DIN Standard DIN 2576

Pressure 10 bar

Size DN65 x 76,1 mm

DN 65

Inner ø 77,5 mm

Flange PN10/16

Diameter 76,1 mm

Outer ø 185 mm

Weight 3 kg

Thickness 20 mm

Bolt hole 18 mm

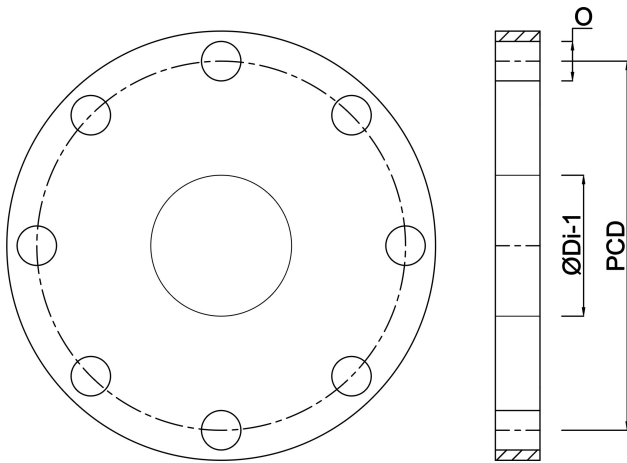
Holes 4

## DIMENSIONS

O 18 mm

PCD 145 mm

ØDi-1 77.5 mm



**Last modified date: 22/05/2026**

Bosta UK Ltd.  
Reflection House  
Olding Road  
Bury St. Edmunds  
Suffolk  
IP33 3TA  
T +44 (0) 1284 716580  
E [enquiries@bosta.co.uk](mailto:enquiries@bosta.co.uk)  
<http://www.bosta.com>