

Blind flange stainless steel 316
DN50 DIN flange 16bar DN50
PN16 (0080657)



TECHNICAL SPECIFICATIONS

Material stainless steel 316

Connection DIN flange

DIN Standard DIN 2527

Flange PN16

Pressure 16 bar

Size DN50

DN 50

Outer ø 165 mm

Weight 2.9 kg

Thickness 18 mm

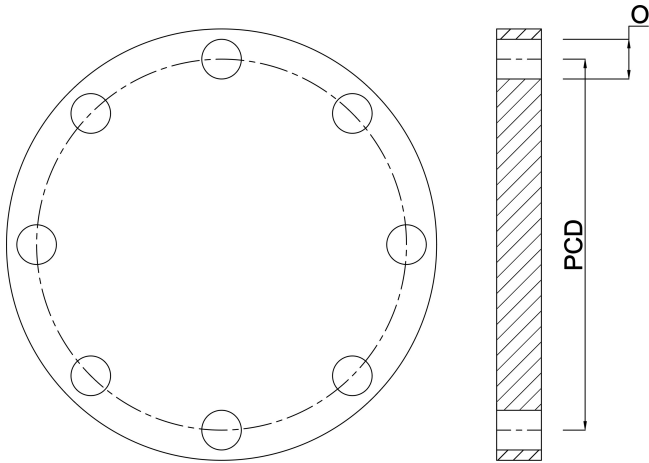
Bolt hole 18 mm

Holes 4

DIMENSIONS

O 18 mm

PCD 125 mm



Last modified date: 06/03/2026

Bosta UK Ltd.
Reflection House
Olding Road
Bury St. Edmunds
Suffolk
IP33 3TA
T +44 (0) 1284 716580
E enquiries@bosta.co.uk
<http://www.bosta.com>