

Profec Flange flat steel DN40 x 48,3 mm DIN flange x butt welding 10bar PN10 (1180234)



TECHNICAL SPECIFICATIONS

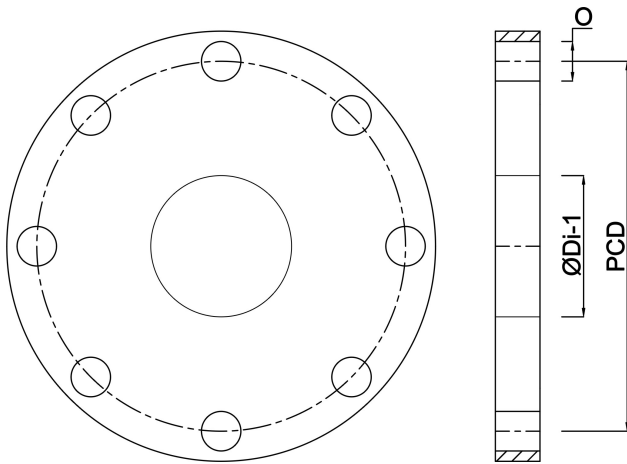
Material	steel
Connection	DIN flange x butt welding
DIN Standard	DIN 2576
Flange	PN10
Pressure	10 bar
Size	DN40 x 48,3 mm
Inner ø	49 mm
Outer ø	150 mm
Weight	1.85 kg
Thickness	16 mm
PCD	110 mm
Bolt hole	18 mm
Holes	4

DIMENSIONS

O	18 mm
PCD	110 mm

ØDi-1

49 mm



Last modified date: 24/05/2026

Bosta UK Ltd.
Reflection House
Olding Road
Bury St. Edmunds
Suffolk
IP33 3TA
T +44 (0) 1284 716580
E enquiries@bosta.co.uk
<http://www.bosta.com>