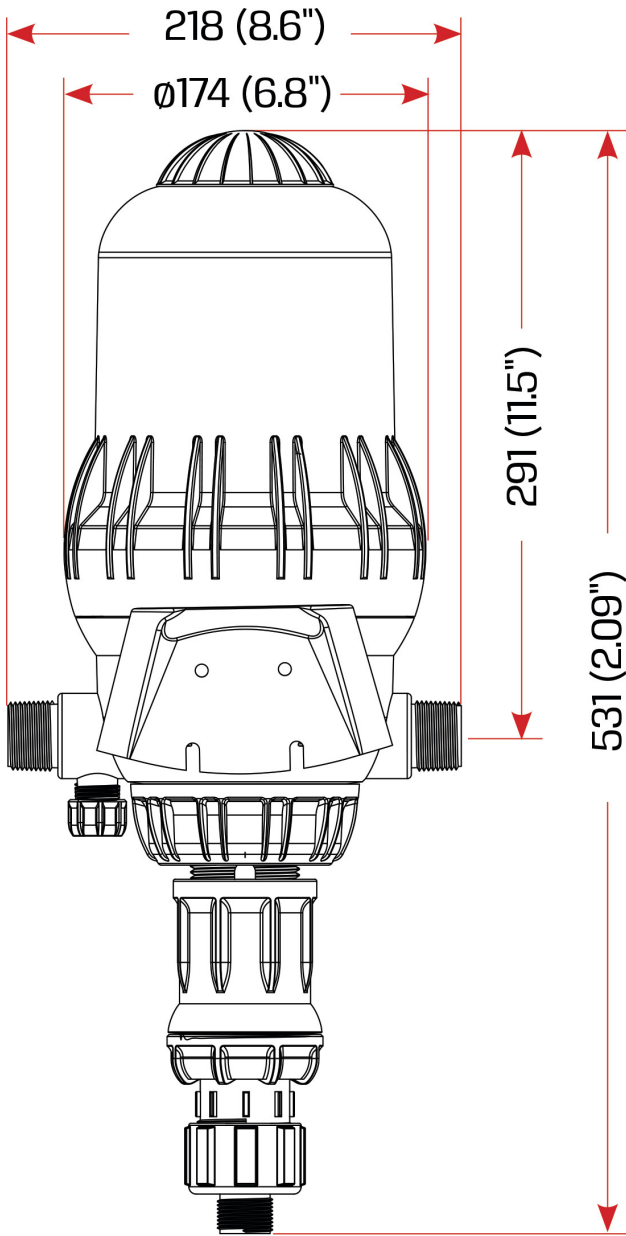


# Tefen Dosing pump 1" x 10 mm x 1" male thread x hose tail x male thread type MixRite TF5 0.2% - 2% (7024294)

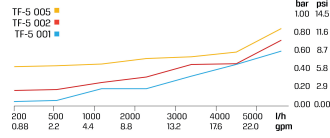


# TECHNICAL SPECIFICATIONS

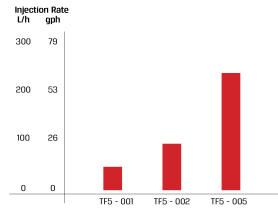
Type	MixRite TF5
Material seal	NBR
Connection	male thread x hose tail x male thread
Flow range	20 - 5000 ltr/h
Size	1" x 10 mm x 1"
Adjustable mixture	0,2 - 2%
Rec. press.	0.2 - 8.0 bar



Pressure Loss



Max. injection rate/h



		L (Height)	
		On/Off	Air Release
Max.		680 (26.7")	595 (23.4")
Min.		585 (23")	545 (21.4")

# PRODUCT INFORMATION

Comes with a suction tube, mounting bracket and a seal kit.  
The suction tube length is 1.5m long.  
Use with fertilizer solutions and not with acids.  
Refer to our chemical compatibility table in order to select the right model for your application.

**Last modified date: 03/07/2026**

Bosta UK Ltd.  
Reflection House  
Olding Road  
Bury St. Edmunds  
Suffolk  
IP33 3TA  
T +44 (0) 1284 716580  
E [enquiries@bosta.co.uk](mailto:enquiries@bosta.co.uk)  
<http://www.bosta.com>