

# Flange threaded steel galvanised 4" square flange x male thread (0200576)

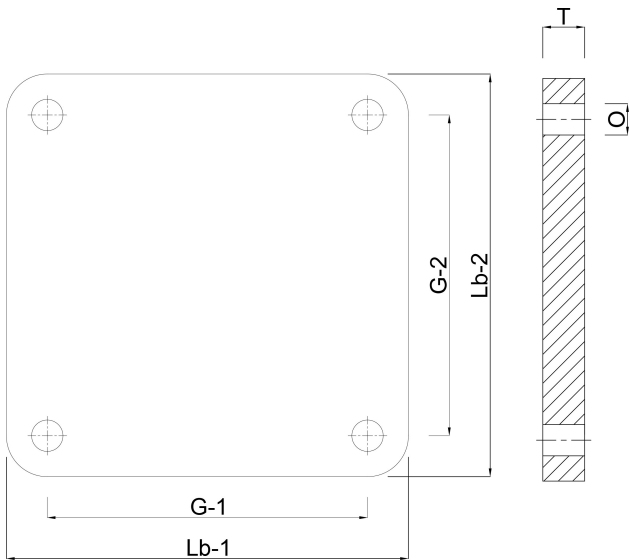


# TECHNICAL SPECIFICATIONS

Material	steel
Surface treatment	galvanised
Connection	square flange x male thread
Inner ø	104 mm
Outer ø	114 mm
Bolt hole	13 mm
Holes	4
Size	4"

## DIMENSIONS

G-1	150 mm
G-2	150 mm
Hole spacing	150 x 150 mm
Lb	180 mm
Lb-2	180 mm
O	13 mm
T	8 mm



**Last modified date: 23/05/2026**

Bosta UK Ltd.  
Reflection House  
Olding Road  
Bury St. Edmunds  
Suffolk  
IP33 3TA  
T +44 (0) 1284 716580  
E [enquiries@bosta.co.uk](mailto:enquiries@bosta.co.uk)  
<http://www.bosta.com>