

**Pentair Cartridge filter
fibreglass-reinforced PP 2"
imperial glue socket 3,5bar
grey type Clean & Clear Plus
CCP320 (7031237)**




NORSUP

TECHNICAL SPECIFICATIONS

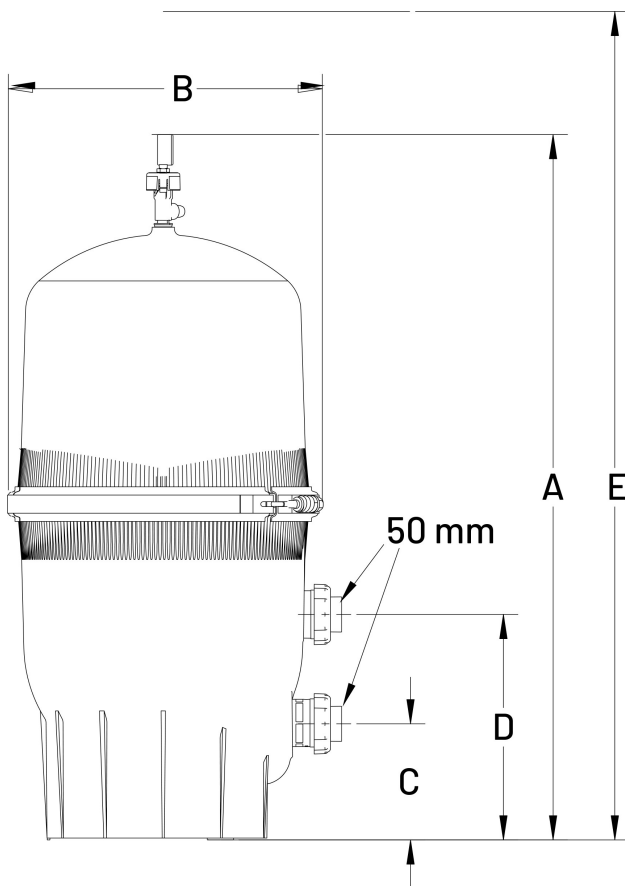
Colour	grey
Material	fibreglass-reinforced PP
Connection	imperial glue socket
Diameter	546 mm
Pressure	3,5 bar
Max. pool vol.	130 m ³
Type	Clean & Clear Plus CCP320
Size	2"
Weight	31.8 kg
Filter area	29.7 m ²
Max flow rate	14 m ³ /h

DIMENSIONS

A	1092 mm
B	546 mm
C	203 mm
D	394 mm

E

1575 mm



PRODUCT INFORMATION

Pentair Clean & Clear Plus Cartridge Pool Filters have a corrosion-resistant, injection-moulded, fibreglass-reinforced, polypropylene filter tank featuring superior strength and reliability. The cartridge assembly uses four non-woven, polyester cartridges. There is no need for backwashing. Simply remove the cartridges and rinse with a garden hose, reducing water consumption. It is a fine filtration with minimum maintenance. It is also a perfect match with variable speed pumps.

Features:

- Durable injection-molded tank
- Single-piece base and body design for more stability
- Integrated Continuous High Flow™ Internal Air Relief
- 4 cartridge elements for an increased filter area and a better dirt capacity

- 100% drain clean-out port
- Balanced hydraulic flow

Last modified date: 26/05/2026

Bosta UK Ltd.
Reflection House
Olding Road
Bury St. Edmunds
Suffolk
IP33 3TA
T +44 (0) 1284 716580
E enquiries@bosta.co.uk
<http://www.bosta.com>