

**DAB Submersible pump
stainless steel 304 1 1/2"
female thread 7,5A 230VAC
stainless steel type Drenag
1200 MA with float switch
(7038202)**



TECHNICAL SPECIFICATIONS

Colour stainless steel

Material stainless steel 304

Pump body stainless steel 304

Connection female thread

Voltage 230VAC

Max. temperature 35 °C

Minimum medium temperature 0 °C
(continuous)

Maximum ambient temperature 40 °C

Type Drenag 1200 MA

Output Power 1,6 HP

Material impeller 1 stainless steel 304

Max. head 17 m

Size 1 1/2"

Float included

Power 1.2 kW

Ampere 7,5 A

Max flow rate

24 m³/h

DIMENSIONS

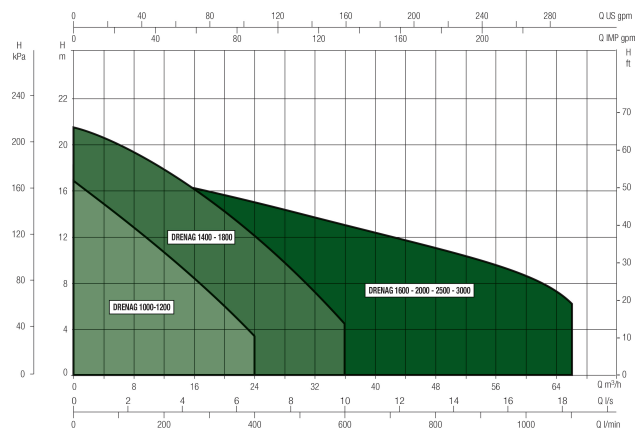
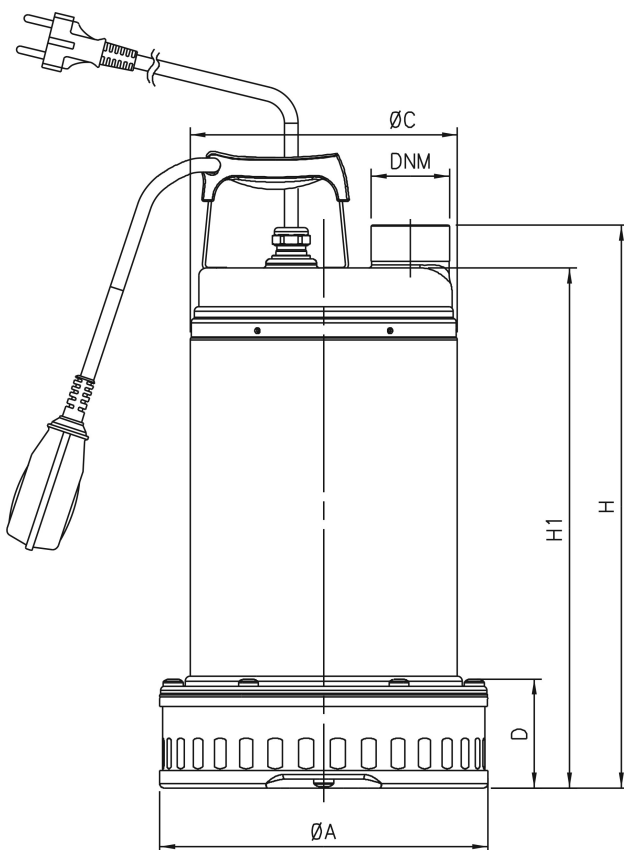
A 215 mm

C 175 mm

D 71 mm

H 413 mm

H-1 385 mm



Last modified date: 27/05/2026

Bosta UK Ltd.
Reflection House
Olding Road
Bury St. Edmunds
Suffolk
IP33 3TA
T +44 (0) 1284 716580
E enquiries@bosta.co.uk
<http://www.bosta.com>