

# Hydro-S Ball valve brass nickel plated 1/2" female thread 25bar (0470001)



  
hydro-s

# TECHNICAL SPECIFICATIONS

Material brass

Surface treatment nickel plated

Operation lever

Colour lever blue

Handle material steel

Housing construction 2-part

Ball material hard chrome plated brass

Shaft brass

Material spindle brass

Material housing brass

Material seal PTFE

Connection female thread

Max. temperature 180 °C

Minimum medium temperature -20 °C  
(continuous)

Pressure 25 bar

Size 1/2"

Weight

13 kg

## DIMENSIONS

Ct-1

46.9 mm

F-1

10 mm

F-2

10 mm

Handle height

445

Lb

46 mm

R

86 mm

ØDf

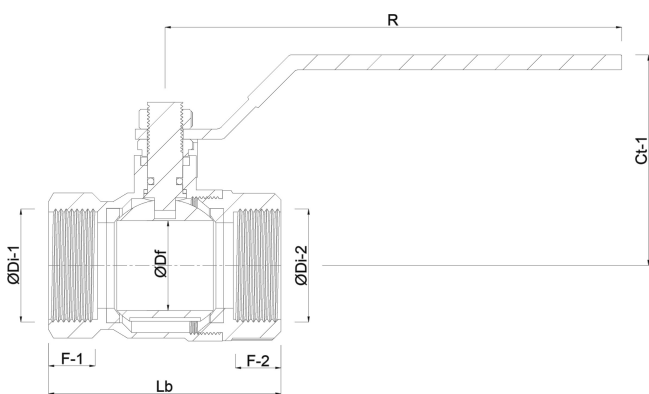
14 mm

ØDi-1

1/2 "

ØDi-2

1/2 "



# PRODUCT INFORMATION

The Hydro-S Ball valve is a cost efficient ball valve that is available with PTFE stem/ball seals. It is used by professionals for agricultural, heating and industrial projects. This reduced flow ball valve is made from brass which is known to be an environmental friendly solution as the recycling process of brass is less energy-intensive compared to aluminium and steel. It is available in a wide variety of sizes and with a 25 bar working pressure. Hydro-s is the brand of choice for professionals, looking for a cost efficient solution.

**Last modified date: 07/03/2026**

Bosta UK Ltd.  
Reflection House  
Olding Road  
Bury St. Edmunds  
Suffolk  
IP33 3TA  
T +44 (0) 1284 716580  
E [enquiries@bosta.co.uk](mailto:enquiries@bosta.co.uk)  
<http://www.bosta.com>