

**Profec Gate valve cast iron GG  
25 powder coating DN80 DIN  
flange 10bar black PN10/16  
type 200/N (7036472)**



# TECHNICAL SPECIFICATIONS

|                         |                 |
|-------------------------|-----------------|
| Colour                  | black           |
| Type                    | 200/N           |
| Material                | cast iron GG 25 |
| Surface treatment       | powder coating  |
| Operation               | handwheel       |
| Colour lever            | black           |
| Handle material         | cast iron       |
| Material valve          | cast iron       |
| Material spindle        | stainless steel |
| Seat material           | brass           |
| Material housing        | cast iron GG 25 |
| Material seal           | metal           |
| Connection              | DIN flange      |
| Max. temperature        | 100 °C          |
| Flange according to DIN | DIN 2501/PN10   |
| Pressure                | 10 bar          |
| Size                    | DN80            |

Flange PN10/16

PCD 160 mm

Holes 8

## DIMENSIONS

Construction length din 3352/2c/f4

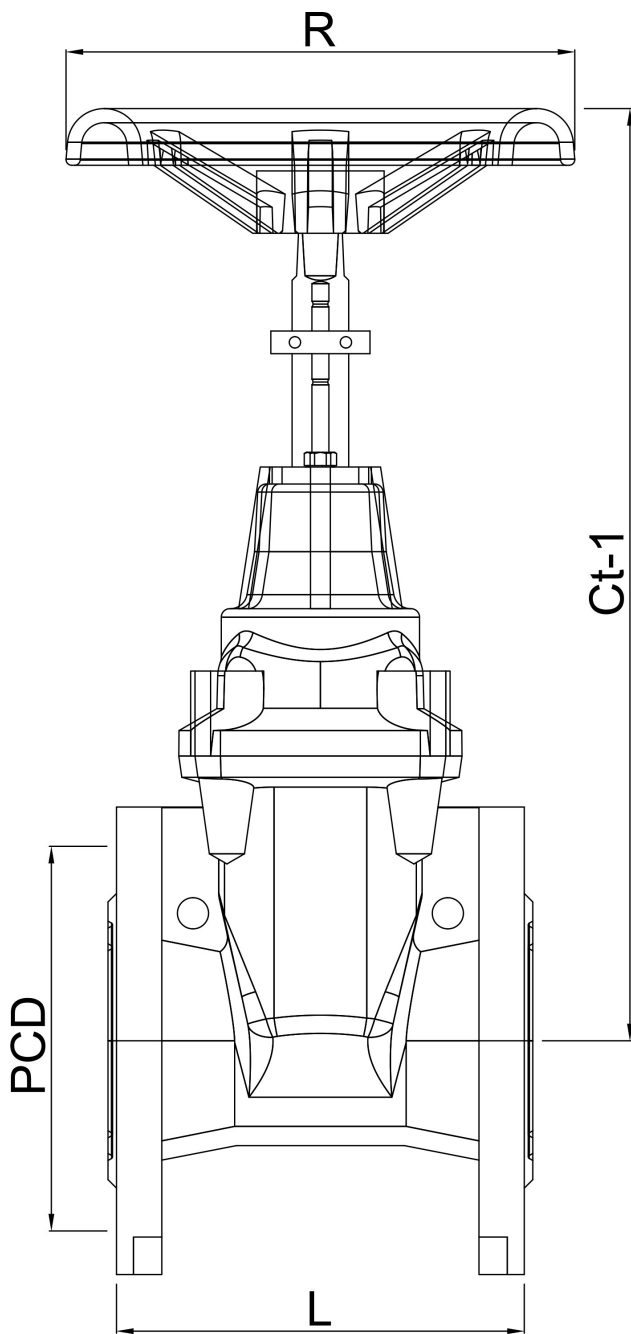
Ct-1 318 mm

L 180 mm

L 180 mm

PCD 160 mm

R 160 mm



## PRODUCT INFORMATION

Metal seated cast iron gate valve, non rising stem.

**Last modified date: 27/05/2026**

Bosta UK Ltd.  
Reflection House  
Olding Road  
Bury St. Edmunds  
Suffolk  
IP33 3TA  
T +44 (0) 1284 716580  
E [enquiries@bosta.co.uk](mailto:enquiries@bosta.co.uk)  
<http://www.bosta.com>