

**Backing ring PP/steel PP 140  
mm SDR11 16bar DN125 black  
PN10/16 (0101938)**



# TECHNICAL SPECIFICATIONS

Colour black

Material PP/steel

Surface treatment PP

Class SDR11

Pressure 16 bar

Size 140 mm

DN 125

Flange PN10/16

Outer ø 250 mm

Weight 1.94 kg

Thickness 24 mm

Bolt hole 18 mm

Holes 8

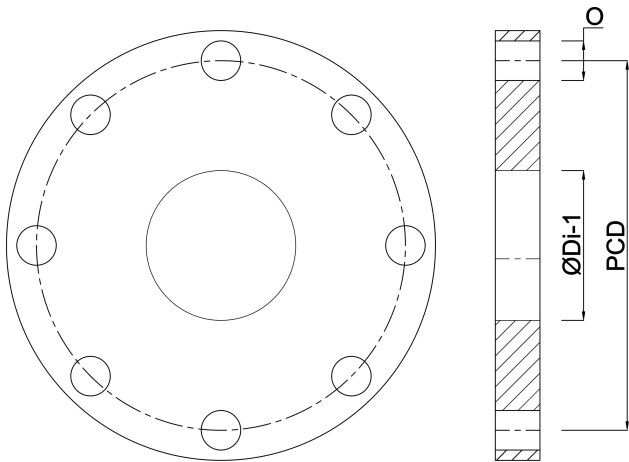
## DIMENSIONS

O 18 mm

PCD 210 mm

ØDi-1

158 mm



**Last modified date: 22/05/2026**

Bosta UK Ltd.  
Reflection House  
Olding Road  
Bury St. Edmunds  
Suffolk  
IP33 3TA  
T +44 (0) 1284 716580  
E [enquiries@bosta.co.uk](mailto:enquiries@bosta.co.uk)  
<http://www.bosta.com>