

Profec Ball valve brass nickel plated 3" female thread 25bar type 100 (0403009)



TECHNICAL SPECIFICATIONS

| | |
|-------------------|--------------------------|
| Type | 100 |
| Material | brass |
| Surface treatment | nickel plated |
| Operation | lever |
| Colour lever | red |
| Handle material | steel |
| Ball material | hard chrome plated brass |
| Material housing | brass |
| Material seal | PTFE |
| Connection | female thread |
| Temperature range | -20°C - 120°C |
| Pressure | 25 bar |
| Size | 3" |

DIMENSIONS

| | |
|------|----------|
| Ct-1 | 128.8 mm |
| F-1 | 27.5 mm |

F-2 27.5 mm

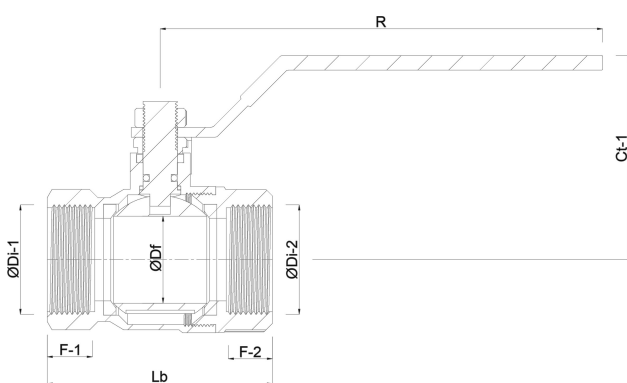
Lb 151.4 mm

R 279.5 mm

ØDf 75 mm

ØDi-1 3 "

ØDi-2 3 "



Last modified date: 23/05/2026

Bosta UK Ltd.
Reflection House
Olding Road
Bury St. Edmunds
Suffolk
IP33 3TA
T +44 (0) 1284 716580
E enquiries@bosta.co.uk
<http://www.bosta.com>