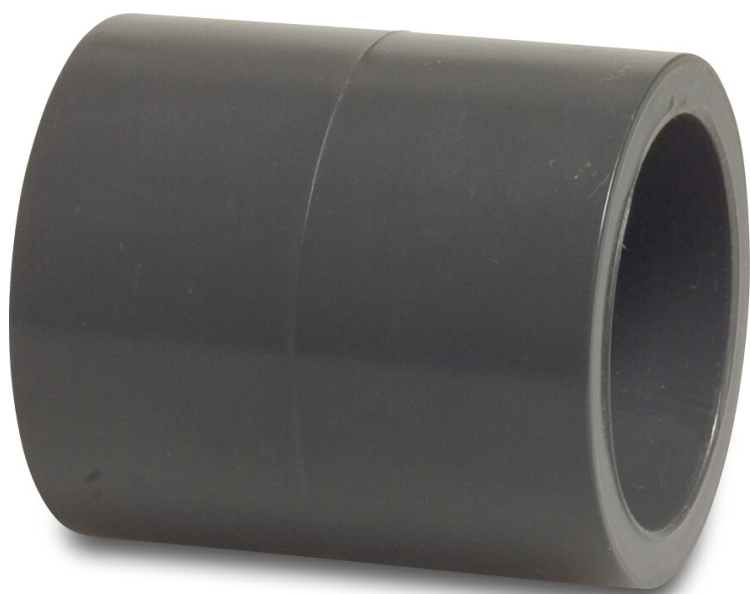


**Socket PVC-U 160 mm glue  
socket 16bar grey (0160657)**



# TECHNICAL SPECIFICATIONS

Colour grey

Material PVC-U

Connection glue socket

Size 160 mm

Pressure 16 bar

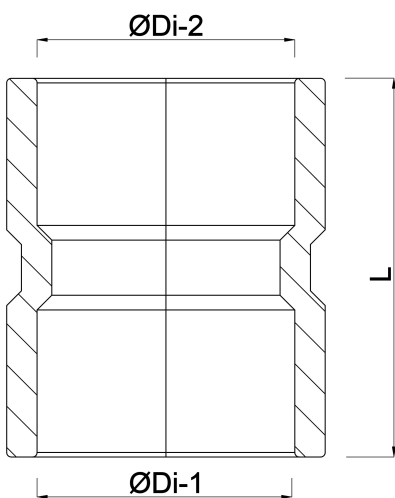
## DIMENSIONS

Mold injection moulded

L 180 mm

$\text{ØDi-1}$  160 mm

$\text{ØDi-2}$  160 mm



**Last modified date: 02/10/2025**

Bosta UK Ltd.  
Reflection House  
Olding Road  
Bury St. Edmunds  
Suffolk  
IP33 3TA  
T +44 (0) 1284 716580  
E [enquiries@bosta.co.uk](mailto:enquiries@bosta.co.uk)  
<http://www.bosta.com>