

**Profec 2-piece ball valve
stainless steel 316 3/8" female
thread x male thread 50bar
(0091009)**



TECHNICAL SPECIFICATIONS

Material	stainless steel 316
Operation	lever
Colour lever	blue
Handle material	stainless steel
Housing construction	2-part
Material housing	stainless steel
Material seal	PTFE
Connection	female thread x male thread
Pressure	50 bar
Size	3/8"

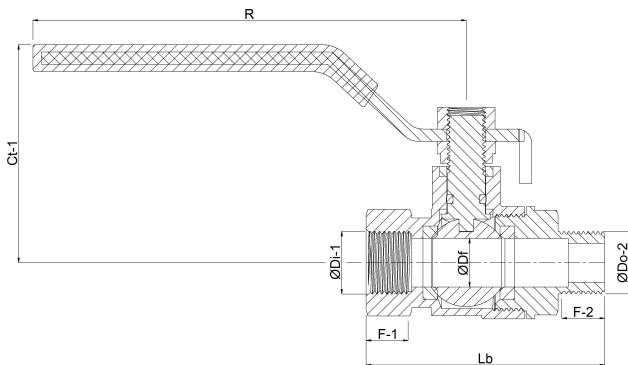
DIMENSIONS

Ct-1	50 mm
F-1	10.5 mm
F-2	12.6 mm
Lb	58,5 mm
R	110 mm

ØDf 12.5 mm

ØDi-2 3/8 "

ØDo-1 3/8 "



Last modified date: 22/05/2026

Bosta UK Ltd.
Reflection House
Olding Road
Bury St. Edmunds
Suffolk
IP33 3TA
T +44 (0) 1284 716580
E enquiries@bosta.co.uk
<http://www.bosta.com>