

Profec Backing ring PVC-U 4" 16bar grey PN10/16 (7028081)



TECHNICAL SPECIFICATIONS

Colour grey

Material PVC-U

Pressure 16 bar

Size 4"

Packaging 25 pcs

Inner \varnothing 138 mm

Flange PN10/16

Outer \varnothing 220 mm

Weight 0.527 kg

Thickness 22 mm

Bolt hole 18 mm

Holes 8

DIMENSIONS

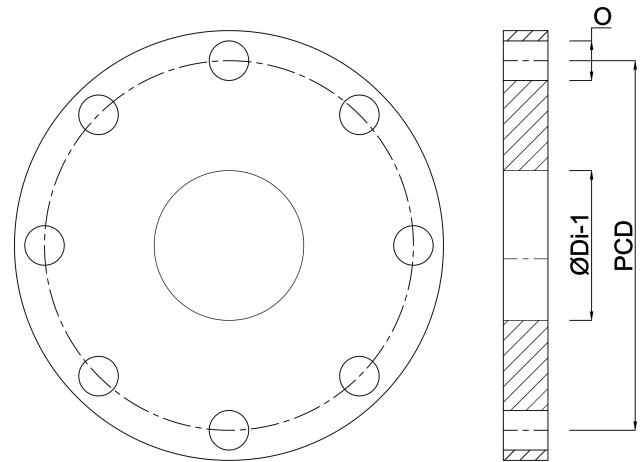
Db 220 mm

O 18 mm

PCD 180 mm

ØDi-1

138 mm



Last modified date: 26/05/2026

Bosta UK Ltd.
Reflection House
Olding Road
Bury St. Edmunds
Suffolk
IP33 3TA
T +44 (0) 1284 716580
E enquiries@bosta.co.uk
<http://www.bosta.com>