

**Submersible pump 1" x 1 1/2" x
1" hose tail x male thread x
hose tail 2,5A 230VAC stainless
steel type IP 900 INOX
(7031125)**



TECHNICAL SPECIFICATIONS

| | |
|-----------------------------------|-------------------------------------|
| Type | IP |
| Material impeller 1 | noryl |
| Connection | hose tail x male thread x hose tail |
| Float | included |
| Voltage | 230VAC |
| Max. temperature | 35 °C |
| Maximum ambient temperature 40 °C | |
| Colour | stainless steel |
| Pump body | stainless steel 304 |
| Max. head | 9 m |
| Size | 1" x 1 1/2" x 1" |
| Type | 900 INOX |
| Power | 0.9 kW |
| Ampere | 2,5 A |
| Max flow rate | 14.1 m ³ /h |
| BEP Capacity | 9.6 |
| BEP Head | 5.5 |

PORlh 7.3

PORhh 3.5

PORlq 6.72

PORhq 11.52

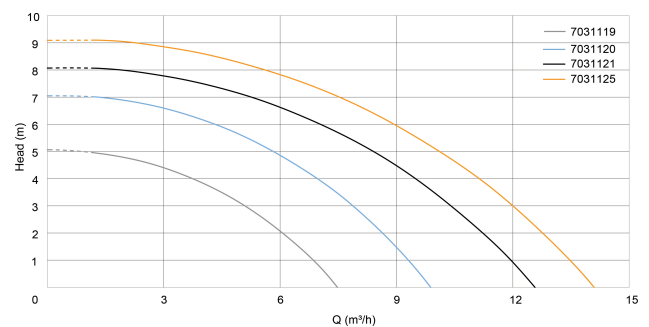
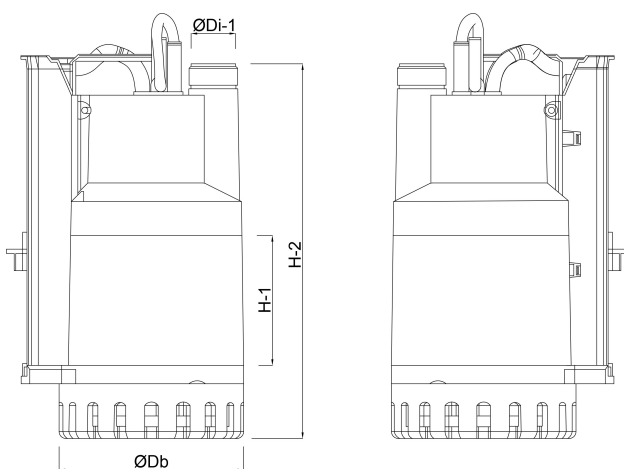
DIMENSIONS

Db 162 mm

H-1 70 mm

H-2 365 mm

ØDi-1 1 1/2 "



PRODUCT INFORMATION

For clean water only. Max. immersion depth: 5 metres. 8 mtr cable and DIN plug

Last modified date: 26/05/2026

Bosta UK Ltd.
Reflection House
Olding Road
Bury St. Edmunds
Suffolk
IP33 3TA
T +44 (0) 1284 716580
E enquiries@bosta.co.uk
<http://www.bosta.com>