

Profec Gate valve brass 6" female thread 16bar type K220 (0400650)



TECHNICAL SPECIFICATIONS

Type	K220
Material	brass
Operation	handwheel
Colour lever	red
Handle material	casted aluminium
Material valve	brass
Material housing	brass
Connection	female thread
Max. temperature	120 °C
Pressure	16 bar
Size	6"

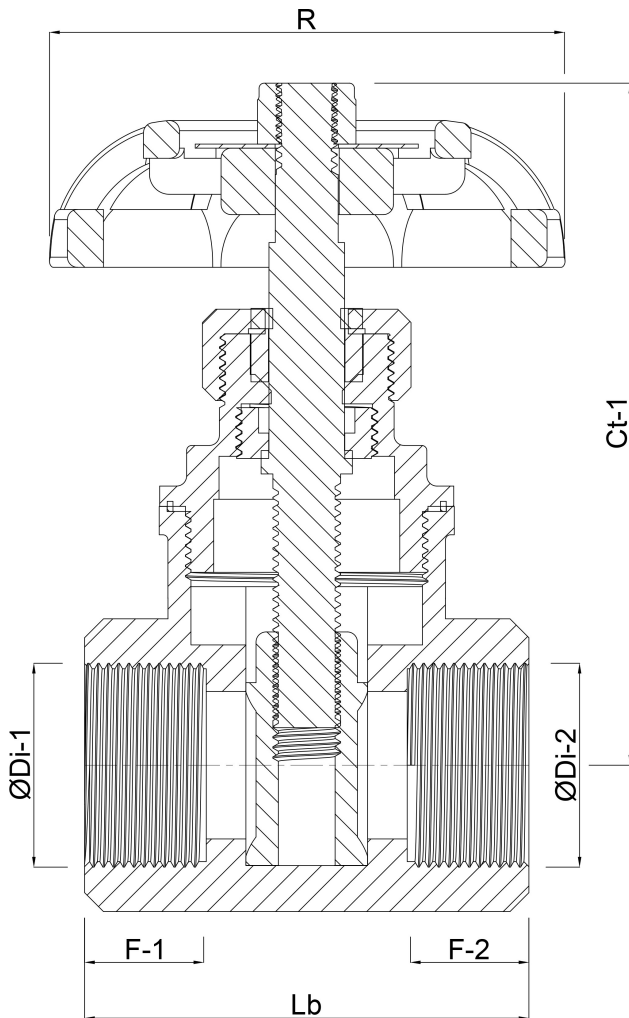
DIMENSIONS

Ct-1	430 mm
F-1	24 mm
F-2	24 mm
Lb	104 mm

R 175 mm

ØDi-1 6 "

ØDi-2 6 "



Last modified date: 27/05/2026

Bosta UK Ltd.
Reflection House
Olding Road
Bury St. Edmunds
Suffolk

IP33 3TA
T +44 (0) 1284 716580
E enquiries@bosta.co.uk
<http://www.bosta.com>