

**Ball valve brass nickel plated  
3/4" female thread 210bar type  
Hipress 2321 (0401277)**



# TECHNICAL SPECIFICATIONS

Type	Hipress 2321
Material	brass
Surface treatment	nickel plated
Operation	lever
Colour lever	black
Handle material	aluminium
Housing construction	2-part
Material housing	brass
Material seal	PTFE
Connection	female thread
Temperature range	-10°C - 80°C
Pressure	210 bar
Size	3/4"
Norm	UNI/ISO 7/3

## DIMENSIONS

Ct-1	75 mm
------	-------

F-1 16.3 mm

F-2 16.3 mm

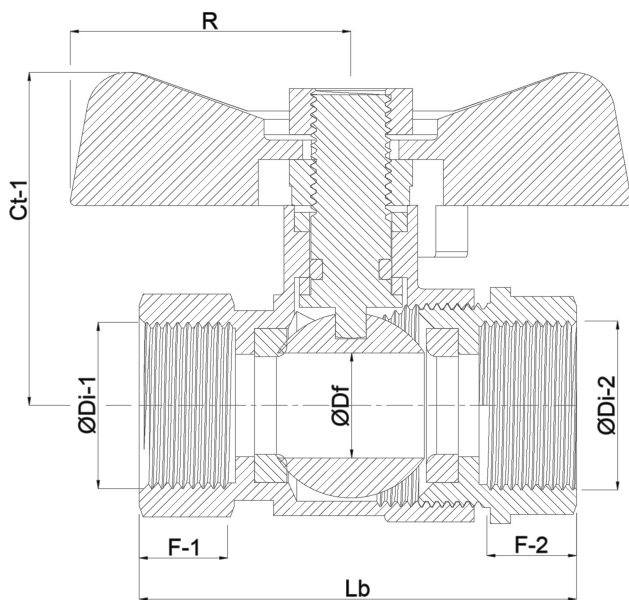
Lb 95 mm

R 110 mm

ØDf 20 mm

ØDi-1 3/4 "

ØDi-2 3/4 "



**Last modified date: 23/05/2026**

Bosta UK Ltd.  
Reflection House  
Olding Road  
Bury St. Edmunds  
Suffolk  
IP33 3TA

T +44 (0) 1284 716580  
E [enquiries@bosta.co.uk](mailto:enquiries@bosta.co.uk)  
<http://www.bosta.com>