

**Flotide Pool pump 50 mm / 1
1/2" metric/imperial glue
socket 4,7A 230VAC black type
SS100 UK plug (7043355)**



FLOTIDE

TECHNICAL SPECIFICATIONS

| | |
|------------------|-----------------------------|
| Colour | black |
| Shaft | stainless steel 316 |
| Material seal | stainless steel 316 |
| Connection | metric/imperial glue socket |
| Type | UK plug |
| Voltage | 230VAC |
| Max. temperature | 40 °C |
| Width | 211 mm |
| Height | 340 mm |
| Frequency | 50 Hz |
| IP value | IPX5 |
| Type | SS100 |
| Capacity | 15,2 m ³ /h |
| Output Power | 1,00 HP |
| Max. head | 8 m |
| Size | 50 mm / 1 1/2" |
| Length | 552 mm |

Weight 9.09 kg

Power 0.75 kW

Ampere 4,7 A

Noise level 65 dB

BEP Capacity 12

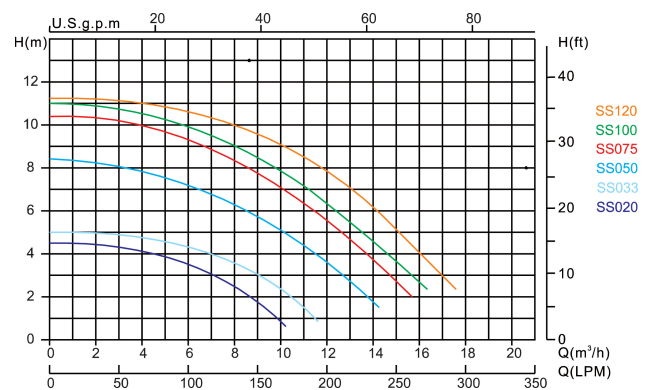
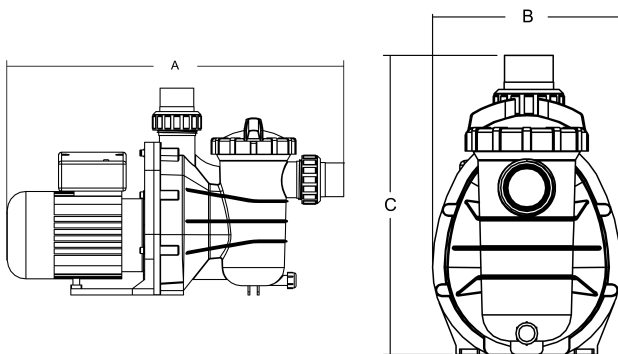
BEP Head 4.5

DIMENSIONS

A 552 mm

B 211 mm

C 340 mm



PRODUCT INFORMATION

This pump is designed for medium sized domestic swimming pools. Low energy consumption, quiet running.

Features:

- Connection: metric / imperial glue socket
- Transparent lid for easy checking
- NSK bearing
- Insulation: Class B
- IP55 protection
- Built in thermal protection
- Supplied including metric & imperial unions
- Supplied with RCD differential plug
- UK 3-pin plug included

Last modified date: 26/05/2026

Bosta UK Ltd.
Reflection House
Olding Road
Bury St. Edmunds
Suffolk
IP33 3TA
T +44 (0) 1284 716580
E enquiries@bosta.co.uk
<http://www.bosta.com>