

**Profec Flange threaded steel
zinc plated DN150 x 6" DIN
flange x female thread DN150
PN10/16 (1080220)**



TECHNICAL SPECIFICATIONS

Material	steel
Surface treatment	zinc plated
Connection	DIN flange x female thread
DIN Standard	DIN 2566
Flange	PN10/16
Size	DN150 x 6"
Bolt	M20
DN	150
Diameter	168,3 mm
Outer ø	285 mm
Weight	7.92 kg
Thickness	22 mm
Bolt hole	22 mm
Holes	8

DIMENSIONS

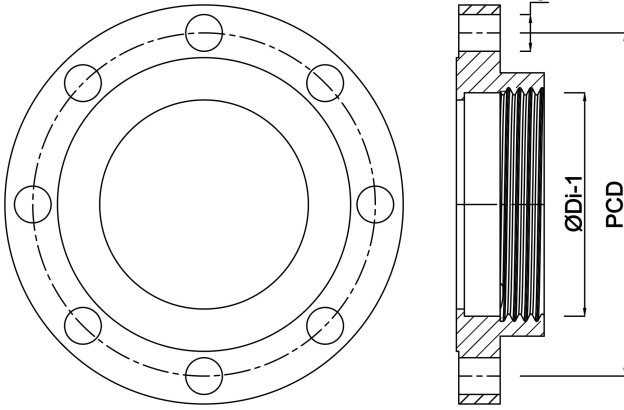
O	22 mm
---	-------

PCD

240 mm

ØDi-1

6 "



Last modified date: 24/05/2026

Bosta UK Ltd.
Reflection House
Olding Road
Bury St. Edmunds
Suffolk
IP33 3TA
T +44 (0) 1284 716580
E enquiries@bosta.co.uk
<http://www.bosta.com>