

**Drainage reducer bush rubber
reinforced with nylon 50 mm x
30 mm spigot x ring seal black
(0350396)**



TECHNICAL SPECIFICATIONS

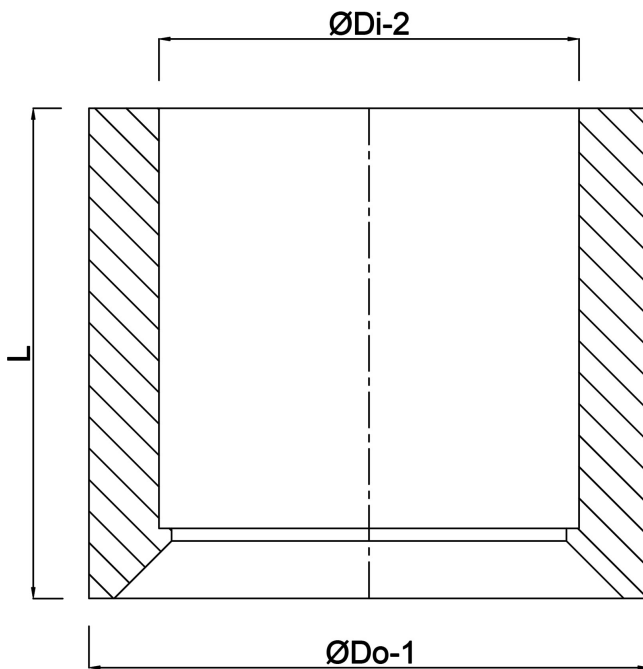
Colour	black
Material	rubber reinforced with nylon
Connection	spigot x ring seal
Size	50 mm x 30 mm

DIMENSIONS

L 24 mm

ØDi-2 30 mm

ØDo-1 50 mm



Last modified date: 13/03/2026

Bosta UK Ltd.
Reflection House
Olding Road
Bury St. Edmunds
Suffolk
IP33 3TA
T +44 (0) 1284 716580
E enquiries@bosta.co.uk
<http://www.bosta.com>