

# Profec Ball valve brass nickel plated 3/4" female thread 25bar type 100 (0403003)



# TECHNICAL SPECIFICATIONS

Type	100
Material	brass
Surface treatment	nickel plated
Operation	lever
Colour lever	red
Handle material	steel
Ball material	hard chrome plated brass
Material housing	brass
Material seal	PTFE
Connection	female thread
Temperature range	0°C - 100°C
Pressure	25 bar
Size	3/4"

## DIMENSIONS

Ct-1	48.6 mm
F-1	12 mm

F-2 12 mm

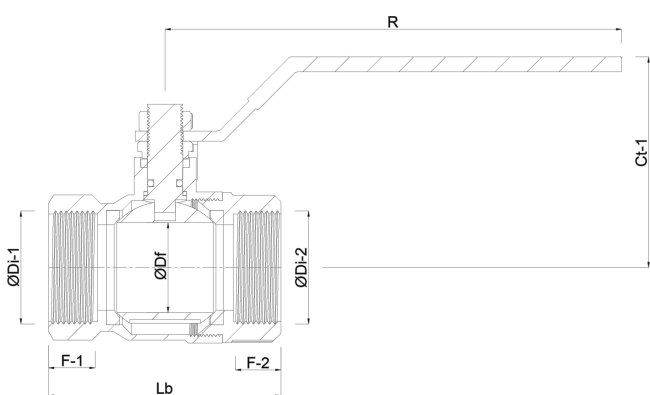
Lb 54 mm

R 98.5 mm

ØDf 19 mm

ØDi-1 3/4 "

ØDi-2 3/4 "



**Last modified date: 07/03/2026**

Bosta UK Ltd.  
Reflection House  
Olding Road  
Bury St. Edmunds  
Suffolk  
IP33 3TA  
T +44 (0) 1284 716580  
E [enquiries@bosta.co.uk](mailto:enquiries@bosta.co.uk)  
<http://www.bosta.com>