

**Profec Flange PVC-U DN100 x
4" DIN flange x female thread
16bar DN100 grey PN10/16
(0111168)**

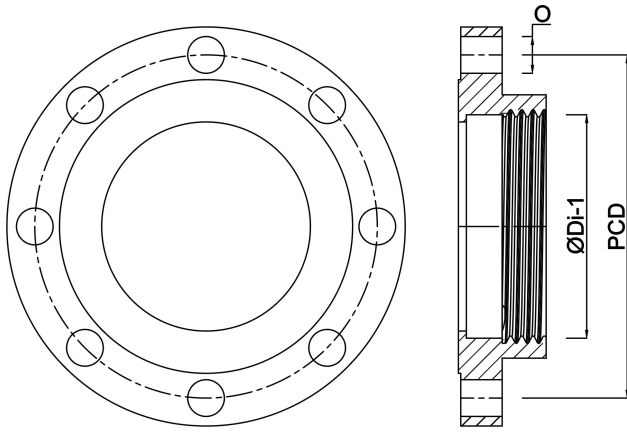


TECHNICAL SPECIFICATIONS

| | |
|------------|----------------------------|
| Colour | grey |
| Material | PVC-U |
| Connection | DIN flange x female thread |
| Flange | PN10/16 |
| Pressure | 16 bar |
| Size | DN100 x 4" |
| DN | 100 |
| Outer ø | 220 mm |
| Weight | 0.89 kg |
| Thickness | 22 mm |
| Bolt hole | 18 mm |
| Holes | 8 |

DIMENSIONS

| | |
|-------|--------|
| O | 18 mm |
| PCD | 180 mm |
| ØDi-1 | 4" |



Last modified date: 23/05/2026

Bosta UK Ltd.
Reflection House
Olding Road
Bury St. Edmunds
Suffolk
IP33 3TA
T +44 (0) 1284 716580
E enquiries@bosta.co.uk
<http://www.bosta.com>