

**Profec Flange welding neck
steel DN150 x 159,0 mm DIN
flange x butt welding black
PN16 (1180490)**



TECHNICAL SPECIFICATIONS

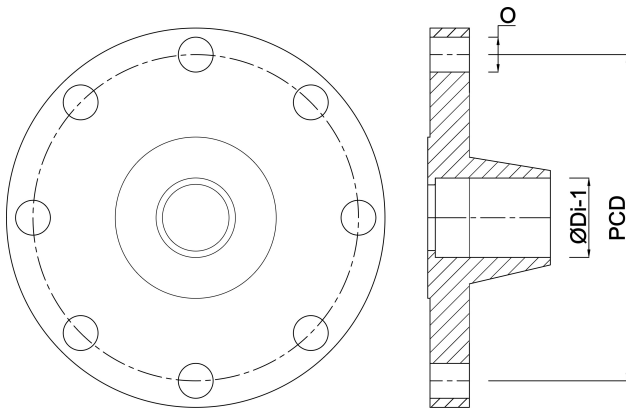
Colour	black
Material	steel
Connection	DIN flange x butt welding
DIN Standard	DIN 2633
Flange	PN16
Size	DN150 x 159,0 mm
Outer ø	285 mm
Weight	7.75 kg
Height	55 mm
Thickness	22 mm
PCD	240 mm
Bolt hole	22 mm
Holes	8

DIMENSIONS

O	18 mm
PCD	240 mm

ØDi-1

150 mm



Last modified date: 24/05/2026

Bosta UK Ltd.
Reflection House
Olding Road
Bury St. Edmunds
Suffolk
IP33 3TA
T +44 (0) 1284 716580
E enquiries@bosta.co.uk
<http://www.bosta.com>