

# Submersible pump 1" x 1 1/2" x 1" hose tail x male thread x hose tail 2,15A 230VAC blue type IP 750 (7031121)



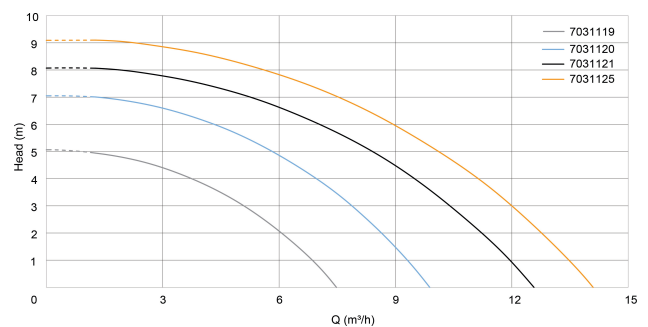
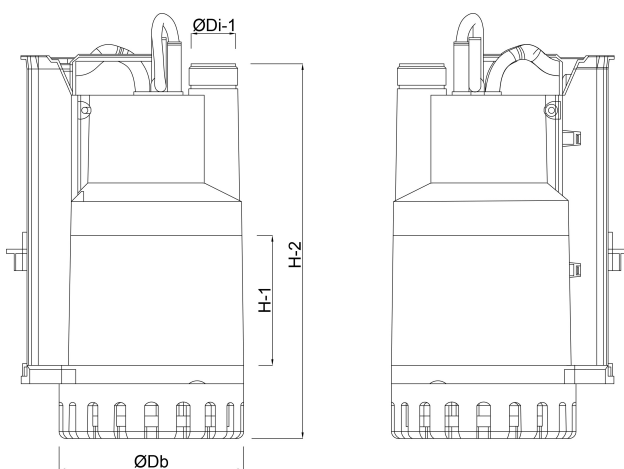
# TECHNICAL SPECIFICATIONS

Type	IP
Material impeller 1	noryl
Connection	hose tail x male thread x hose tail
Float	included
Voltage	230VAC
Max. temperature	35 °C
Maximum ambient temperature	40 °C
Colour	blue
Pump body	plastic
Max. head	8 m
Size	1" x 1 1/2" x 1"
Type	750
Power	0.75 kW
Ampere	2,15 A
Max flow rate	12.6 m <sup>3</sup> /h
BEP Capacity	9.6
BEP Head	3.8

PORlh	6
PORhh	1.5
PORlq	6.72
PORhq	11.52

## DIMENSIONS

Db	155 mm
H-1	150 mm
H-2	355 mm
ØDi-1	1 1/2 "



## PRODUCT INFORMATION

For clean water only. Max. immersion depth: 5 metres. 8 mtr cable and DIN plug

**Last modified date: 26/05/2026**

Bosta UK Ltd.  
Reflection House  
Olding Road  
Bury St. Edmunds  
Suffolk  
IP33 3TA  
T +44 (0) 1284 716580  
E [enquiries@bosta.co.uk](mailto:enquiries@bosta.co.uk)  
<http://www.bosta.com>