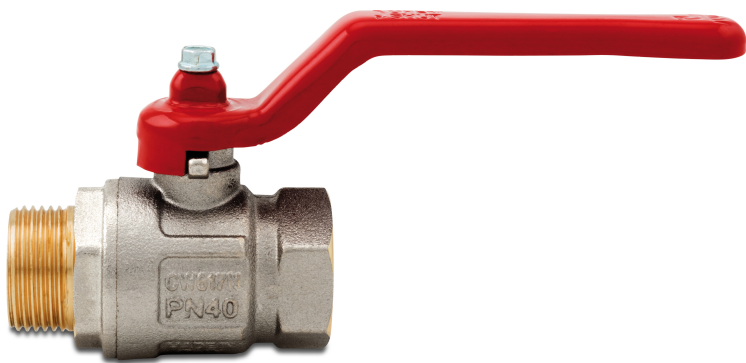


**Itap Ball valve brass nickel
plated 1 1/4" female thread x
male thread 30bar type 091
(0402336)**



TECHNICAL SPECIFICATIONS

Type	091
Material	brass
Surface treatment	nickel plated
Operation	lever
Colour lever	red
Handle material	steel
Housing construction	2-part
Ball material	hard chrome plated brass
Material housing	brass
Material seal	PTFE
Connection	female thread x male thread
Max. temperature	150 °C
Minimum medium temperature (continuous)	-20 °C
Flow	full
Size	1 1/4"
Pressure	30 bar

DIMENSIONS

Ct-1 75 mm

F-1 17 mm

F-2 17 mm

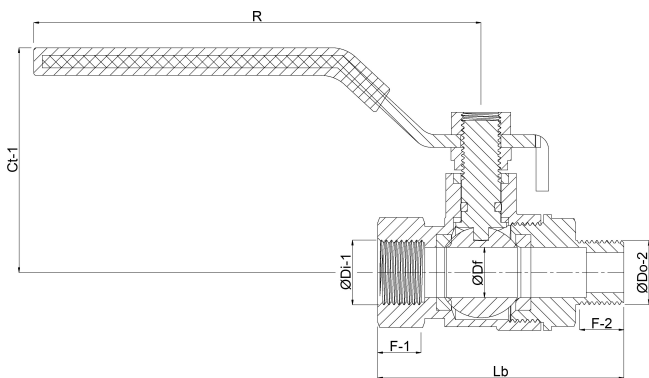
Lb 91,5 mm

R 138 mm

ØDf 32 mm

ØDi-1 1 1/4 "

ØDo-2 1 1/4 "



Last modified date: 07/03/2026

Bosta UK Ltd.
Reflection House
Olding Road
Bury St. Edmunds
Suffolk

IP33 3TA
T +44 (0) 1284 716580
E enquiries@bosta.co.uk
<http://www.bosta.com>