

**Itap Ball valve brass nickel
plated 1 1/4" female thread
30bar type 092 (0402376)**



TECHNICAL SPECIFICATIONS

Type 092

Material brass

Surface treatment nickel plated

Operation butterfly handle

Colour lever red

Handle material aluminium

Housing construction 2-part

Ball material hard chrome plated brass

Material housing brass

Material seal PTFE

Connection female thread

Max. temperature 150 °C

Minimum medium temperature -20 °C
(continuous)

Flow full

Size 1 1/4"

Pressure 30 bar

DIMENSIONS

Ct-1 64 mm

F-1 16.5 mm

F-2 17 mm

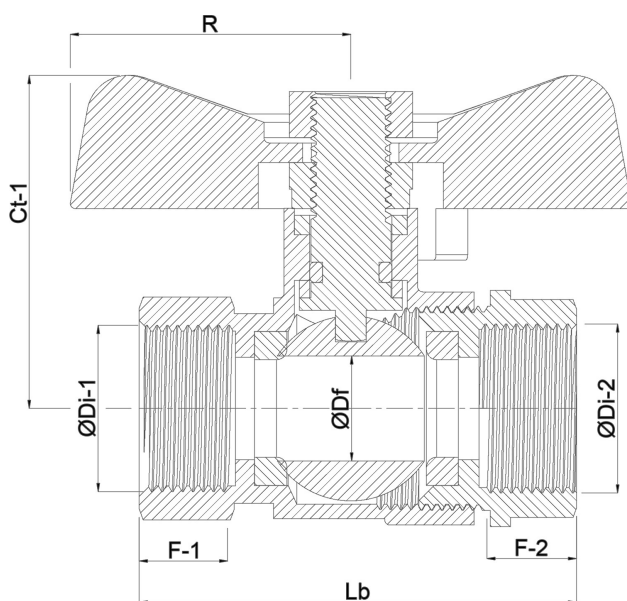
Lb 80,5 mm

R 35 mm

ØDf 32 mm

ØDi-1 1 1/4 "

ØDi-2 1 1/4 "



Last modified date: 23/05/2026

Bosta UK Ltd.
Reflection House
Olding Road
Bury St. Edmunds
Suffolk
IP33 3TA
T +44 (0) 1284 716580
E enquiries@bosta.co.uk
<http://www.bosta.com>