

# Waterco Commercial pool pump 90 mm glue socket 8,1A 400VAC black type Hydrostar MKIV 550 (7035700)



**WATERCO**  
EUROPE LTD  
Water, the liquid of life

# TECHNICAL SPECIFICATIONS

Colour black

Material seal carbon steel

Connection glue socket

Voltage 400VAC

Width 288 mm

Height 428 mm

IP value IP55

Type Hydrostar MKIV 550

Capacity 68 m<sup>3</sup>/h

Output Power 5,7 HP

Size 90 mm

Length 867 mm

Max. temperature 40 °C

Weight 50 kg

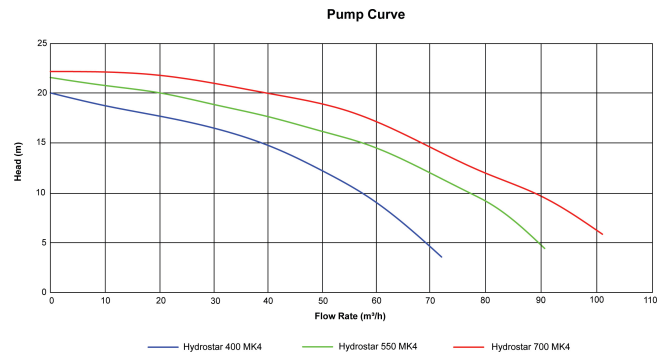
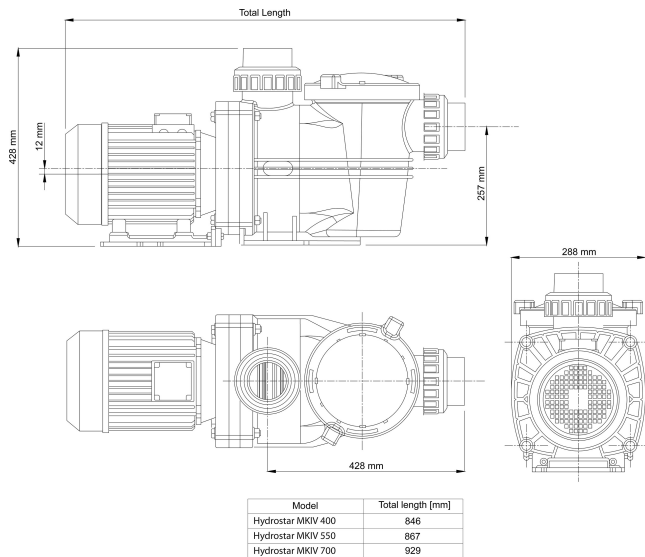
Power 4.3 kW

Ampere 8,1 A

Frequency 50 Hz

Motor RPM

2930



## PRODUCT INFORMATION

The Hydrostar MKIV has been designed to provide a substantially quieter operation with even higher flow rates and higher head than the previous Hydrostar models. Waterco has optimised the pump's hydraulic efficiency by reshaping its internal profile.

Features:

- 3" port supplied with 3" imperial & 90mm metric quick connect unions
- 6L hair and lint pot
- Transparent pump lid for easy inspection of the strainer basket
- Quarter turn lid and lock ring with easy grip handles
- High grade mechanical seal
- Carbon/graphite with 316 stainless steel
- Heavy duty IP33 weather proofed motor with stainless steel shaft
- Hydraulically efficient internal volute
- Drain plugs
- Integral support base for ease of mounting
- UV stabilised glass filled thermoplastic pump body

**Last modified date: 10/03/2026**

Bosta UK Ltd.  
Reflection House  
Olding Road  
Bury St. Edmunds  
Suffolk  
IP33 3TA  
T +44 (0) 1284 716580  
E [enquiries@bosta.co.uk](mailto:enquiries@bosta.co.uk)  
<http://www.bosta.com>