

# Profec Ball valve brass nickel plated 2" female thread 25bar type 108 (0401380)



# TECHNICAL SPECIFICATIONS

Type	108
Material	brass
Surface treatment	nickel plated
Operation	lever
Colour lever	red
Handle material	steel
Housing construction	2-part
Ball material	hard chrome plated brass
Material housing	brass
Material seal	PTFE
Connection	female thread
Flow	full
Temperature range	-20°C - 120°C
Pressure	25 bar
Size	2"

## DIMENSIONS

Ct-1 90.5 mm

F-1 17.5 mm

F-2 17.5 mm

Handle height 87

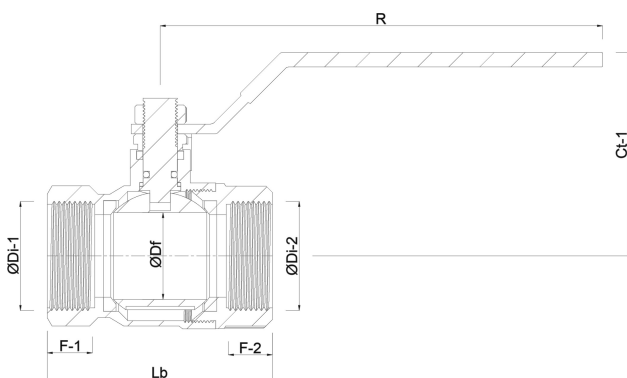
Lb 104 mm

R 151.5 mm

ØDf 50 mm

ØDi-1 2 "

ØDi-2 2 "



## PRODUCT INFORMATION

With drain valve.

**Last modified date: 23/05/2026**

Bosta UK Ltd.  
Reflection House  
Olding Road  
Bury St. Edmunds  
Suffolk  
IP33 3TA  
T +44 (0) 1284 716580  
E [enquiries@bosta.co.uk](mailto:enquiries@bosta.co.uk)  
<http://www.bosta.com>