

**DAB Submersible pump
technopolymer 1 1/4" female
thread 0,9A 230VAC green
type NOVA 180 M-NA (7043965)**



TECHNICAL SPECIFICATIONS

Colour	green
Material	technopolymer
Pump body	technopolymer
Material impeller 1	technopolymer
Connection	female thread
Voltage	230VAC
Max. temperature	35 °C
Minimum medium temperature	0 °C (continuous)
Press	1 1/4 "
Type	NOVA 180 M-NA
Output Power	0,28 HP
Size	1 1/4"
Float	not included
Power	0.2 kW
MWC	4,8
Ampere	0,9 A

Max flow rate

5 m³/h

DIMENSIONS

Db

148 mm

H-1

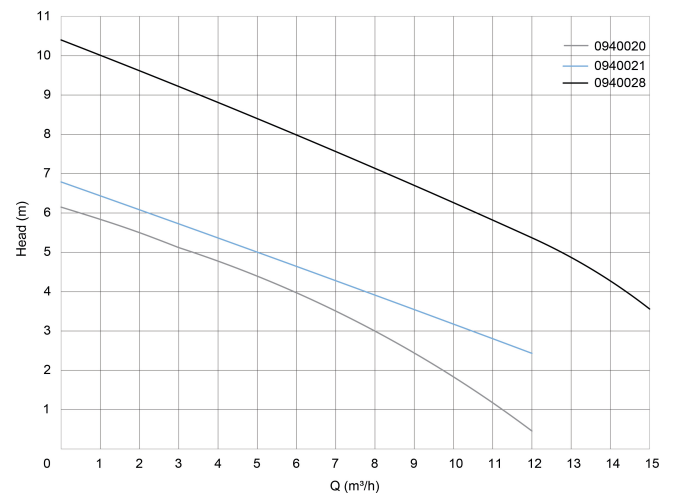
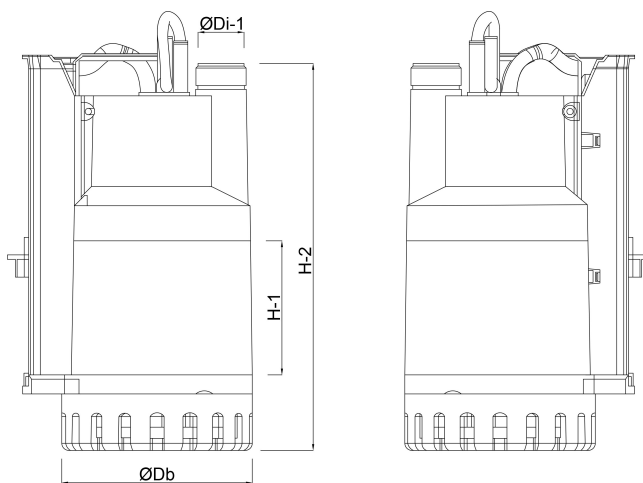
38 mm

H-2

253 mm

ØDi-1

1 1/4 "



PRODUCT INFORMATION

The types NOVA 300 and 600 are the ideal pumps for pumping out basements. May be used for water with granular hard parts up to 8 mm.

Last modified date: 03/04/2026

Bosta UK Ltd.
Reflection House
Olding Road
Bury St. Edmunds
Suffolk
IP33 3TA
T +44 (0) 1284 716580
E enquiries@bosta.co.uk
<http://www.bosta.com>