

**Drainage repair socket rubber  
reinforced with nylon 50 mm x  
1 1/2" spigot x siphon seal  
black (0300263)**

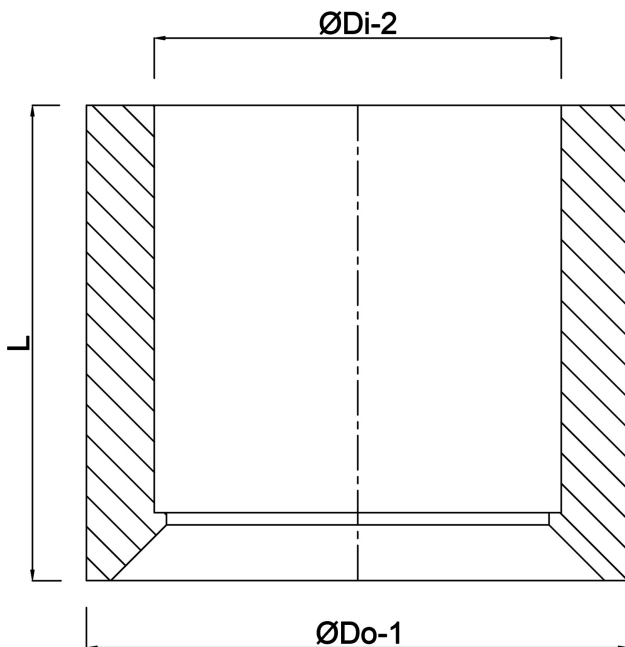


# TECHNICAL SPECIFICATIONS

Colour	black
Material	rubber reinforced with nylon
Connection	spigot x siphon seal
Size	50 mm x 1 1/2"

## DIMENSIONS

L	22 mm
ØDi-2	50 mm
ØDo-1	1 1/2 "



**Last modified date: 23/05/2026**

Bosta UK Ltd.  
Reflection House  
Olding Road  
Bury St. Edmunds  
Suffolk  
IP33 3TA  
T +44 (0) 1284 716580  
E [enquiries@bosta.co.uk](mailto:enquiries@bosta.co.uk)  
<http://www.bosta.com>