

**Flange stainless steel 316
DN65 x DN65 x 2 1/2" DIN
flange x female thread 16bar
DN65 PN16 (0080669)**



TECHNICAL SPECIFICATIONS

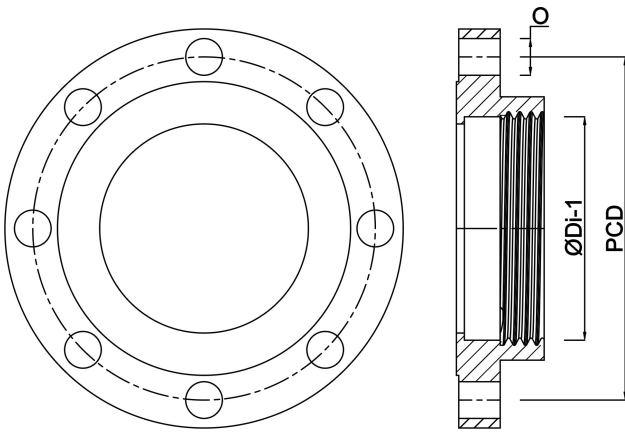
Material	stainless steel 316
Connection	DIN flange x female thread
DIN Standard	DIN 2566
Size	DN65 x DN65 x 2 1/2"
DN	65
Flange	PN16
Diameter	76,1 mm
Outer ø	185 mm
Weight	3 kg
Thickness	18 mm
Pressure	16 bar
Bolt hole	18 mm
Holes	8

DIMENSIONS

O	18 mm
PCD	145 mm

ØDi-1

2 1/2 "



Last modified date: 22/05/2026

Bosta UK Ltd.
Reflection House
Olding Road
Bury St. Edmunds
Suffolk
IP33 3TA
T +44 (0) 1284 716580
E enquiries@bosta.co.uk
<http://www.bosta.com>