

Profec 2-piece ball valve stainless steel 316 1/2" female thread 64bar (0090942)



TECHNICAL SPECIFICATIONS

Material stainless steel 316

Operation lever

Colour lever blue

Handle material stainless steel

Housing construction 2-part

Material housing stainless steel 316

Material seal PTFE

Connection female thread

Gasket PTFE

Flow full

Temperature range -10°C - 150°C

Pressure 64 bar

Size 1/2"

DIMENSIONS

Ct-1 48 mm

F-1 13 mm

F-2 13 mm

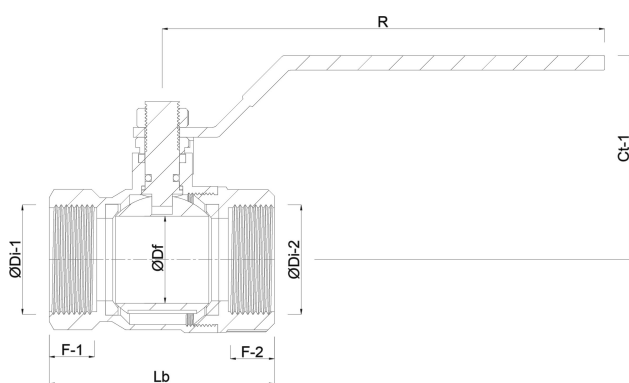
Lb 57 mm

R 103 mm

ØDf 15 mm

ØDi-1 1/2 "

ØDi-2 1/2 "



Last modified date: 22/05/2026

Bosta UK Ltd.
Reflection House
Olding Road
Bury St. Edmunds
Suffolk
IP33 3TA
T +44 (0) 1284 716580
E enquiries@bosta.co.uk
<http://www.bosta.com>