

Norsup Cartridge filter HDPE 2" imperial glue socket 3.5bar grey type ICF680 (7034330)



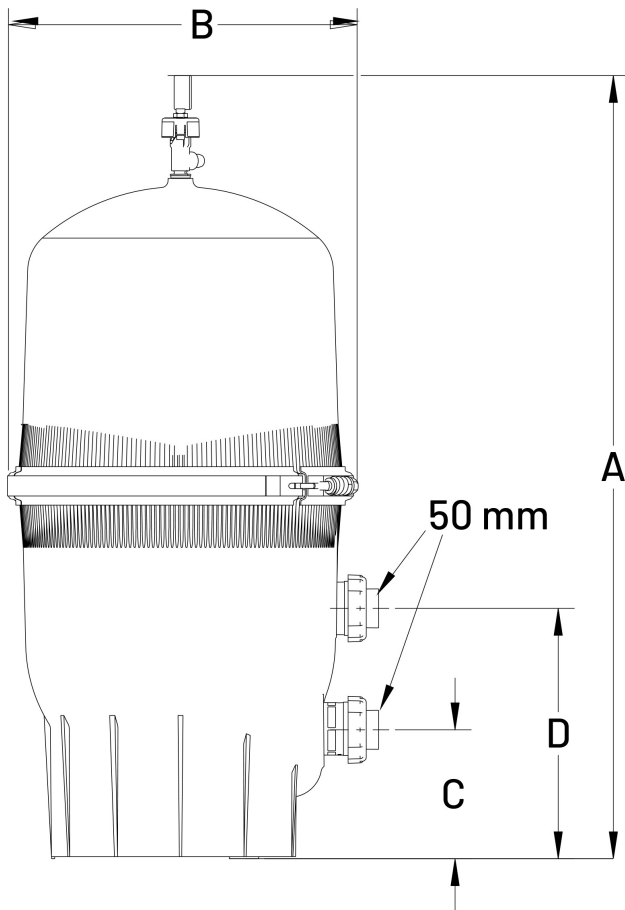
 **NORSUP 3** YEARS WARRANTY
10 YEARS TANK

TECHNICAL SPECIFICATIONS

| | |
|----------------|------------------------|
| Colour | grey |
| Material | HDPE |
| Connection | imperial glue socket |
| Pressure | 3.5 bar |
| Max. temp. | 40 °C |
| Type | ICF680 |
| Capacity | 34,5 m ³ /h |
| Size | 2" |
| Weight | 48.3 kg |
| Filter area | 63.1 m ² |
| Max. pool vol. | 190 m ³ |

DIMENSIONS

| | |
|---|----------|
| A | 1362 mm |
| B | 556 mm |
| C | 317.5 mm |
| D | 444.5 mm |



PRODUCT INFORMATION

The Norsup multi-element cartridge filter utilises the latest cartridge filter technology and is constructed with non-corroding, durable material. The filter contains a large filter area, high flow capacity tank and multiple filter elements which provides an unrivalled level of hydraulic debris-catching performance. You can also save precious pool water as the filter does not need to be backwashed.

Features:

- Large flow air relief valve
- Pressure gauge included
- Detachable, easy grip handle
- UV resistant tank with max temperature resistance of 40°C
- 3-way clamp kit allows easy access inside the filter for cleaning & cartridge replacement
- 1.5" bottom drain plug allowing efficient winterisation & simple cleaning & rinsing with a

standard garden hose

- Multiple elements provide greater surface area to catch debris keeping pool maintenance to a minimum
- Water saving design with no backwash required
- Ideal in combination with Multicyclone or Norsup UV-C
- 10 years tank warranty

Last modified date: 27/05/2026

Bosta UK Ltd.
Reflection House
Olding Road
Bury St. Edmunds
Suffolk
IP33 3TA
T +44 (0) 1284 716580
E enquiries@bosta.co.uk
<http://www.bosta.com>