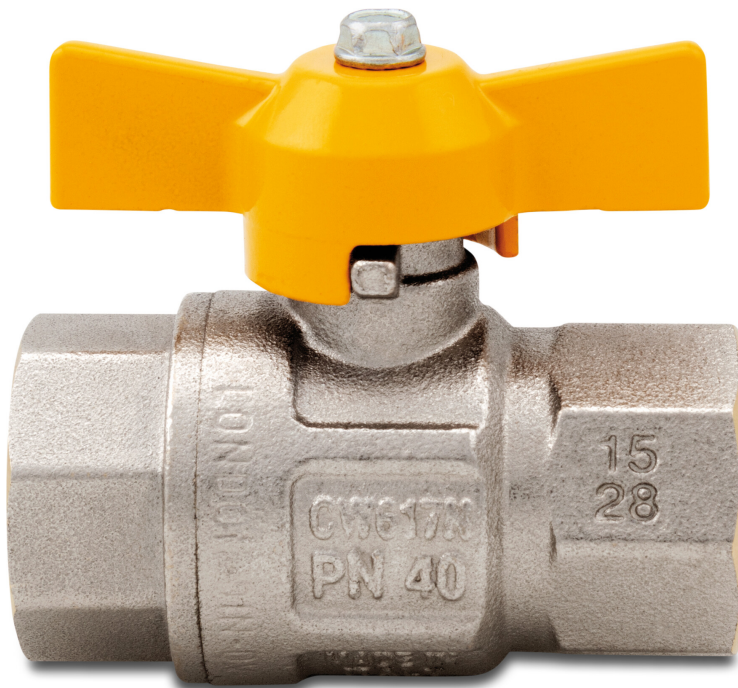


**Itap Ball valve brass nickel
plated 3/8" female thread 5bar
DN10 DVGW type 068
(0401151)**



TECHNICAL SPECIFICATIONS

Type	068
Material	brass
Surface treatment	nickel plated
Approval	DVGW
Operation	butterfly handle
Colour lever	yellow
Handle material	aluminium
Housing construction	2-part
Ball material	hard chrome plated brass
Material housing	brass
Material seal	PTFE
Connection	female thread
Max. temperature	60 °C
Minimum medium temperature -10 °C (continuous)	
Flow	full
Pressure	5 bar

Size 3/8"

DN 10

DIMENSIONS

Ct-1 37.3 mm

F-1 11.4 mm

F-2 11.4 mm

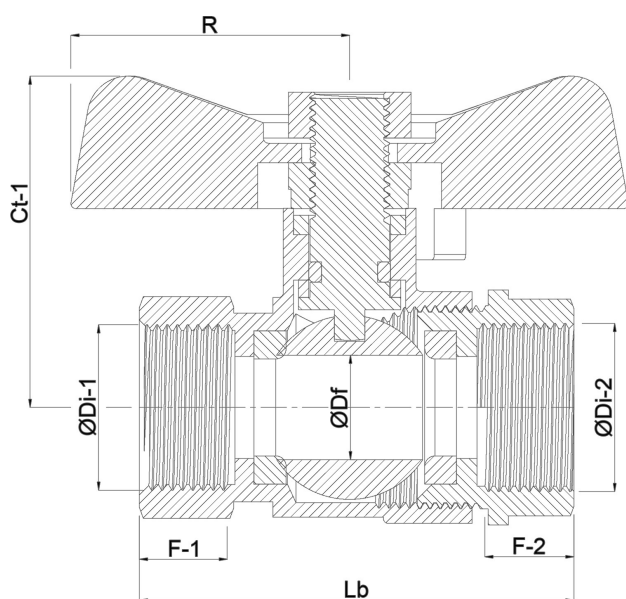
Lb 52,4 mm

R 23.5 mm

ØDf 10 mm

ØDi-1 3/8 "

ØDi-2 3/8 "



Last modified date: 07/03/2026

Bosta UK Ltd.
Reflection House
Olding Road
Bury St. Edmunds
Suffolk
IP33 3TA
T +44 (0) 1284 716580
E enquiries@bosta.co.uk
<http://www.bosta.com>