

**Profec Blind flange PVC-U  
DN110 x 125 mm DIN flange  
16bar DN110 grey PN10/16  
(0111028)**



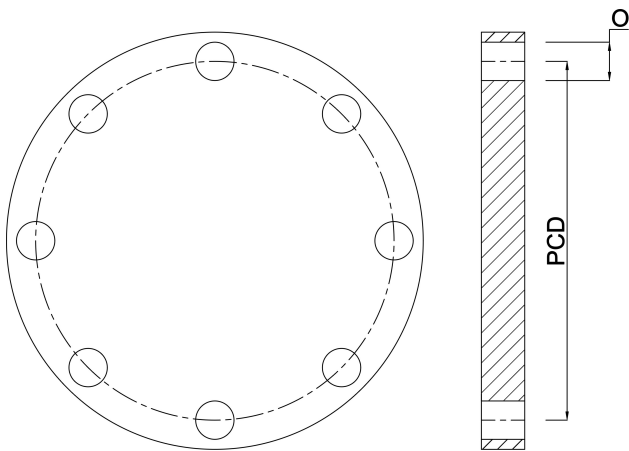
# TECHNICAL SPECIFICATIONS

|             |                |
|-------------|----------------|
| Colour      | grey           |
| Material    | PVC-U          |
| Connection  | DIN flange     |
| Size        | DN110 x 125 mm |
| Bolt        | M16            |
| Packaging   | 5 pcs          |
| DN          | 110            |
| Flange      | PN10/16        |
| Outer ø     | 230 mm         |
| Weight      | 0.708 kg       |
| Length bolt | 80 mm          |
| Thickness   | 24 mm          |
| Pressure    | 16 bar         |
| Bolt hole   | 18 mm          |
| Holes       | 8              |

## DIMENSIONS

O 18 mm

PCD 190 mm



## PRODUCT INFORMATION

For PCD, bolt hole size and number see Technical specifications "How to identify a flange" at the back of the catalogue (PCD equals K)

**Last modified date: 23/05/2026**

Bosta UK Ltd.  
Reflection House  
Olding Road  
Bury St. Edmunds  
Suffolk  
IP33 3TA  
T +44 (0) 1284 716580  
E [enquiries@bosta.co.uk](mailto:enquiries@bosta.co.uk)  
<http://www.bosta.com>