

Flange stainless steel 316
DN50 x 60,3 mm DIN flange x
butt welding 10bar DN50
PN10/16 (0080635)



TECHNICAL SPECIFICATIONS

Material stainless steel 316

Connection DIN flange x butt welding

DIN Standard DIN 2576

Pressure 10 bar

Size DN50 x 60,3 mm

DN 50

Inner ø 61,5 mm

Flange PN10/16

Diameter 60,3 mm

Outer ø 165 mm

Weight 2.5 kg

Thickness 20 mm

Bolt hole 18 mm

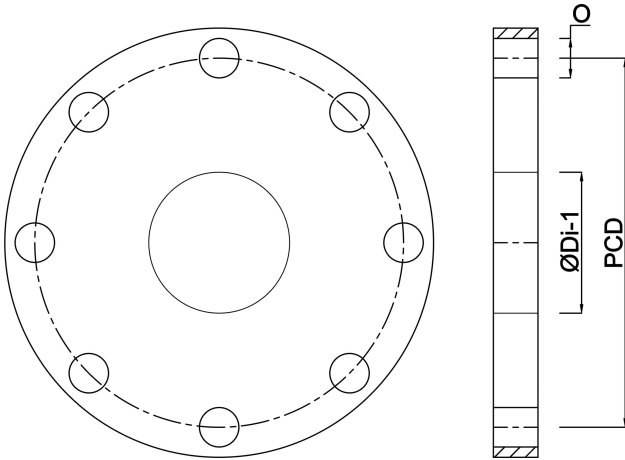
Holes 4

DIMENSIONS

O 18 mm

PCD 125 mm

ØDi-1 61.5 mm



Last modified date: 22/05/2026

Bosta UK Ltd.
Reflection House
Olding Road
Bury St. Edmunds
Suffolk
IP33 3TA
T +44 (0) 1284 716580
E enquiries@bosta.co.uk
<http://www.bosta.com>