

**Profec Flange threaded steel  
DN40 x 1 1/2" DIN flange x  
female thread 16bar black  
PN10/16 (1180214)**



# TECHNICAL SPECIFICATIONS

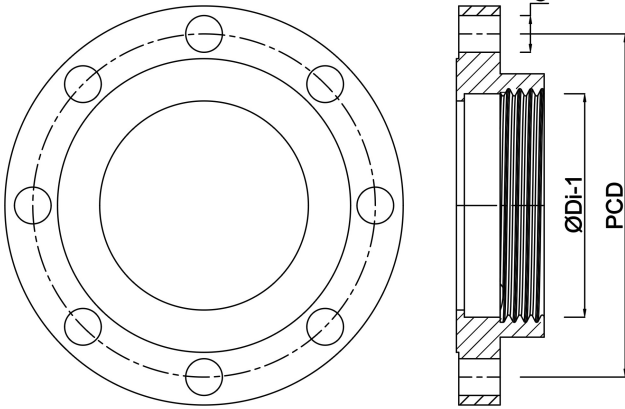
Colour	black
Material	steel
Connection	DIN flange x female thread
DIN Standard	DIN 2566
Flange	PN10/16
Pressure	16 bar
Size	DN40 x 1 1/2"
Diameter	48,3 mm
Outer ø	150 mm
Weight	1.77 kg
Height	26 mm
Thickness	16 mm
PCD	110 mm
Bolt hole	18 mm
Holes	4

## DIMENSIONS

O 18 mm

PCD 110 mm

ØDi-1 1 1/2 "



**Last modified date: 24/05/2026**

Bosta UK Ltd.  
Reflection House  
Olding Road  
Bury St. Edmunds  
Suffolk  
IP33 3TA  
T +44 (0) 1284 716580  
E [enquiries@bosta.co.uk](mailto:enquiries@bosta.co.uk)  
<http://www.bosta.com>