

Flange stainless steel 316
DN100 x 114,3 mm DIN flange
x butt welding 10bar DN100
PN10/16 (0080638)



TECHNICAL SPECIFICATIONS

Material stainless steel 316

Connection DIN flange x butt welding

DIN Standard DIN 2576

Pressure 10 bar

Size DN100 x 114,3 mm

DN 100

Inner ø 116 mm

Flange PN10/16

Diameter 114,3 mm

Outer ø 220 mm

Weight 4.5 kg

Thickness 22 mm

Bolt hole 18 mm

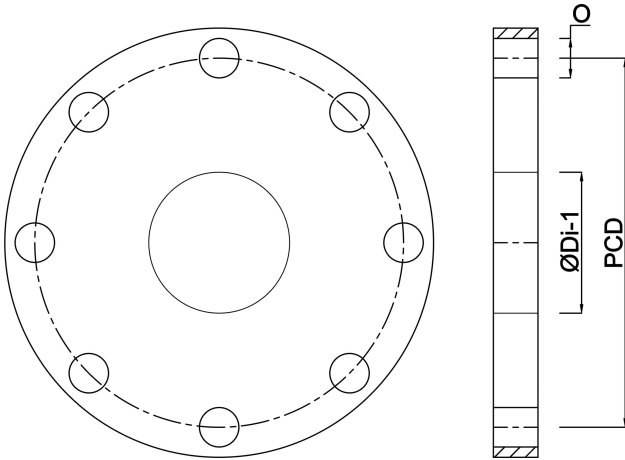
Holes 8

DIMENSIONS

O 18 mm

PCD 180 mm

ØDi-1 116 mm



Last modified date: 22/05/2026

Bosta UK Ltd.
Reflection House
Olding Road
Bury St. Edmunds
Suffolk
IP33 3TA
T +44 (0) 1284 716580
E enquiries@bosta.co.uk
<http://www.bosta.com>