

**Profec 2-piece ball valve  
stainless steel 316 1 1/2"  
female thread x male thread  
50bar (0091014)**



# TECHNICAL SPECIFICATIONS

Material	stainless steel 316
Operation	lever
Colour lever	blue
Handle material	stainless steel
Housing construction	2-part
Material housing	stainless steel
Material seal	PTFE
Connection	female thread x male thread
Pressure	50 bar
Size	1 1/2"

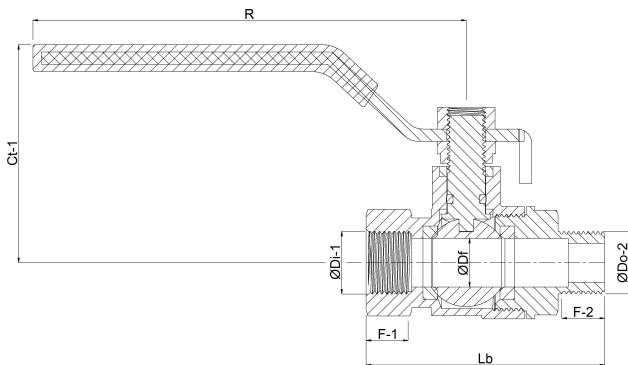
## DIMENSIONS

Ct-1	82 mm
F-1	20.5 mm
F-2	20.2 mm
Lb	114 mm
R	160 mm

ØDf 40 mm

ØDi-2 1 1/2 "

ØDo-1 1 1/2 "



**Last modified date: 22/05/2026**

Bosta UK Ltd.  
Reflection House  
Olding Road  
Bury St. Edmunds  
Suffolk  
IP33 3TA  
T +44 (0) 1284 716580  
E [enquiries@bosta.co.uk](mailto:enquiries@bosta.co.uk)  
<http://www.bosta.com>