

Profec Flange flat steel DN32 x 42,4 mm DIN flange x butt welding 10bar PN10 (1180233)



TECHNICAL SPECIFICATIONS

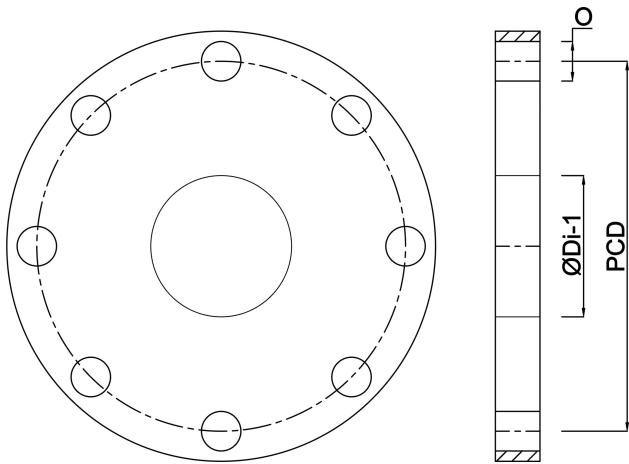
| | |
|--------------|---------------------------|
| Material | steel |
| Connection | DIN flange x butt welding |
| DIN Standard | DIN 2576 |
| Flange | PN10 |
| Pressure | 10 bar |
| Size | DN32 x 42,4 mm |
| Inner ø | 43,1 mm |
| Outer ø | 140 mm |
| Weight | 1.62 kg |
| Thickness | 16 mm |
| PCD | 100 mm |
| Bolt hole | 18 mm |
| Holes | 4 |

DIMENSIONS

| | |
|-----|--------|
| O | 18 mm |
| PCD | 100 mm |

ØDi-1

43.1 mm



Last modified date: 24/05/2026

Bosta UK Ltd.
Reflection House
Olding Road
Bury St. Edmunds
Suffolk
IP33 3TA
T +44 (0) 1284 716580
E enquiries@bosta.co.uk
<http://www.bosta.com>