

**Ball valve PVC-U 2" imperial
glue socket 16bar white type
Industrial (7036419)**

TECHNICAL SPECIFICATIONS

Colour	white
Type	Industrial
Material	PVC-U
Operation	lever
Colour lever	red
Handle material	ABS/stainless steel
Housing construction	3-part
Ball material	PVC-U
Material housing	PE/EPDM
Material seal	EPDM
Connection	imperial glue socket
Max. temperature	60 °C
Minimum medium temperature (continuous)	0 °C
Pressure	16 bar
Size	2"

DIMENSIONS

Ct-1 111 mm

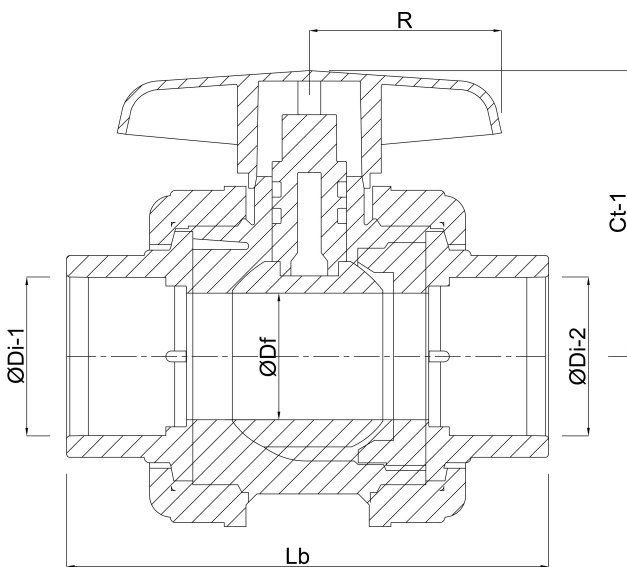
Lb 168 mm

R 74 mm

ØDf 50 mm

ØDi-1 2 "

ØDi-2 2 "



Last modified date: 05/06/2026

Bosta UK Ltd.
Reflection House
Olding Road
Bury St. Edmunds
Suffolk

IP33 3TA

T +44 (0) 1284 716580

E enquiries@bosta.co.uk

<http://www.bosta.com>