

**Profec Flange PVC-U DN32 x 1  
1/4" DIN flange x female thread  
16bar DN32 grey PN10/16  
(0111163)**

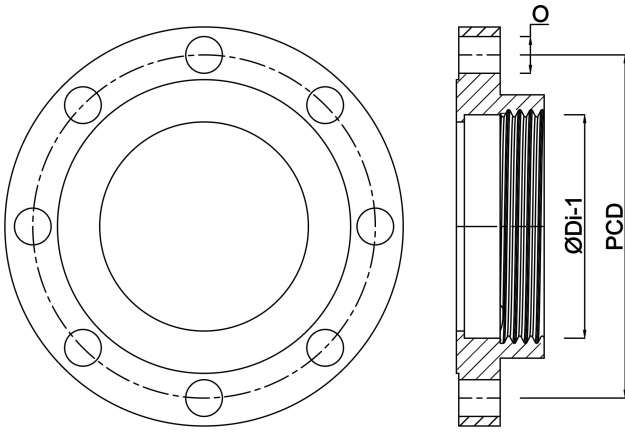


# TECHNICAL SPECIFICATIONS

Colour	grey
Material	PVC-U
Connection	DIN flange x female thread
Flange	PN10/16
Pressure	16 bar
Size	DN32 x 1 1/4"
DN	32
Outer ø	140 mm
Weight	0.223 kg
Thickness	15 mm
Bolt hole	18 mm
Holes	4

## DIMENSIONS

O	18 mm
PCD	100 mm
ØDi-1	1 1/4 "



**Last modified date: 23/05/2026**

Bosta UK Ltd.  
Reflection House  
Olding Road  
Bury St. Edmunds  
Suffolk  
IP33 3TA  
T +44 (0) 1284 716580  
E [enquiries@bosta.co.uk](mailto:enquiries@bosta.co.uk)  
<http://www.bosta.com>