

# VIR Ball valve brass chrome plated 1" female thread 40bar WRAS/VA type 340B (0400973)



# TECHNICAL SPECIFICATIONS

Type	340B
Material	brass
Surface treatment	chrome plated
Approval	WRAS/VA
Operation	lever
Colour lever	blue
Handle material	dacromet steel
Housing construction	2-part
Ball material	hard chrome plated brass
Material housing	brass
Material seal	PTFE
Connection	female thread
Flow	full
Temperature range	0°C - 150°C
Size	1"
Pressure	40 bar

# DIMENSIONS

Ct-1 65 mm

F-1 15 mm

F-2 15 mm

Handle height 65

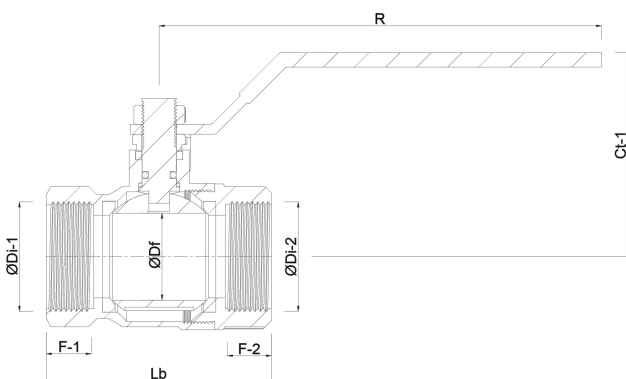
Lb 67 mm

R 126.5 mm

ØDf 25 mm

ØDi-1 1 "

ØDi-2 1 "



**Last modified date: 23/05/2026**

Bosta UK Ltd.  
Reflection House

Olding Road  
Bury St. Edmunds  
Suffolk  
IP33 3TA  
T +44 (0) 1284 716580  
E [enquiries@bosta.co.uk](mailto:enquiries@bosta.co.uk)  
<http://www.bosta.com>